

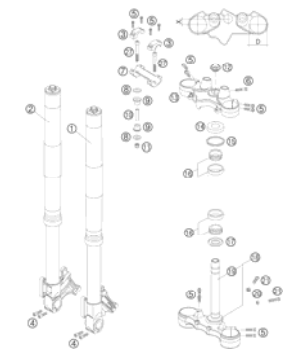
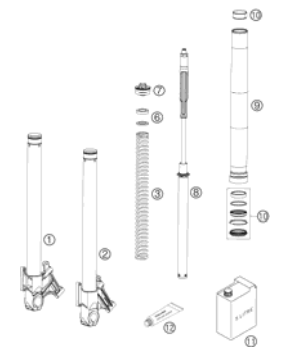
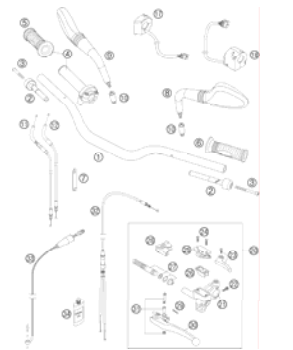
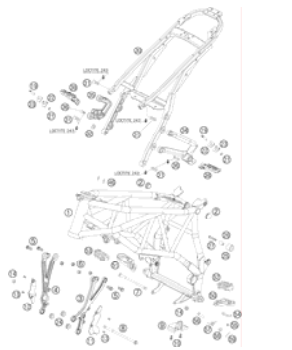
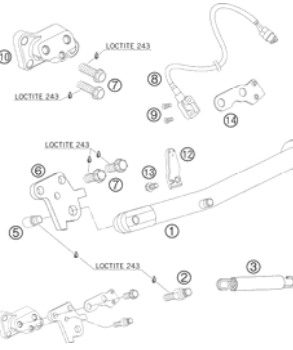
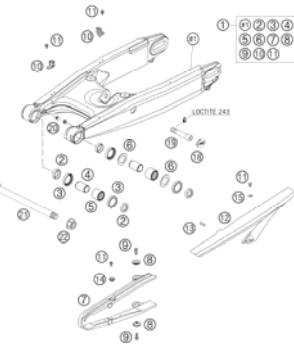
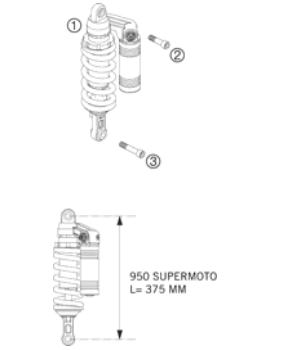
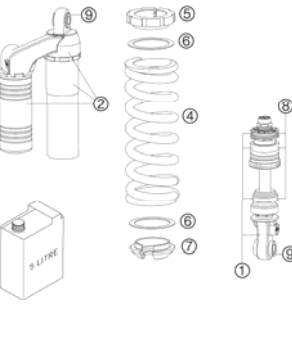

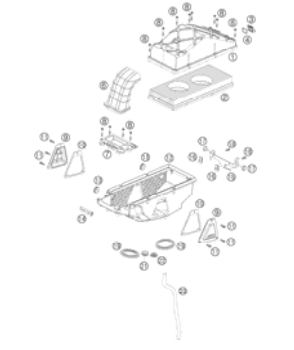
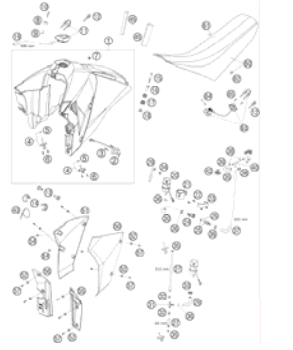

950 SUPERMOTO ORANGE EU 2005


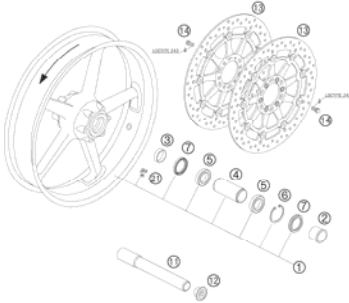
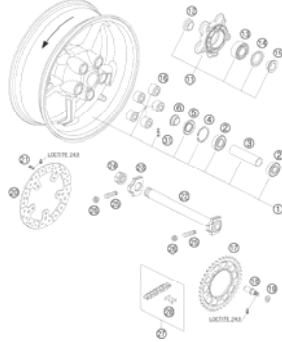
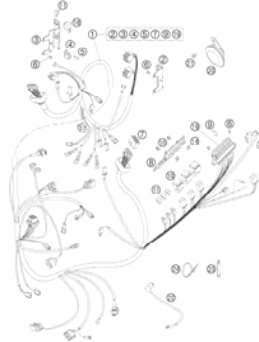
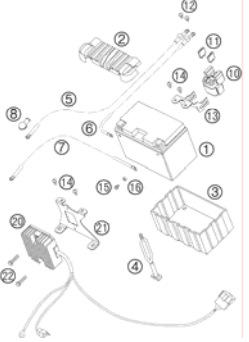

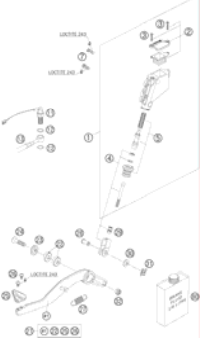
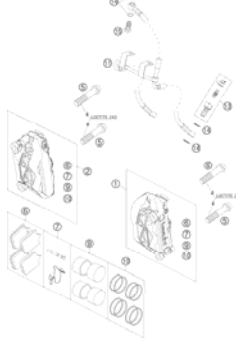
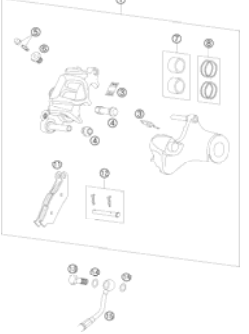
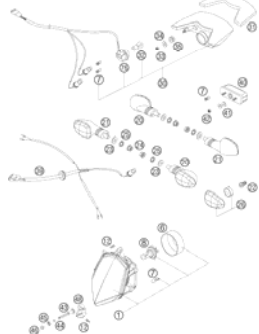


SPARE PARTS MANUAL: CHASSIS


ART.NO.: 3CF9803E0EN

ENGLISH



<p>FRONT FORK WP USD 48</p>  <p>4</p>	<p>FORK LEGS</p>  <p>5</p>	<p>HANDLEBAR, CONTROLS</p>  <p>6</p>	<p>FRAME, SUB FRAME</p>  <p>7</p>
<p>SIDE STAND</p>  <p>9</p>	<p>SWINGARM</p>  <p>10</p>	<p>MONOSHOCK WP</p>  <p>11</p>	<p>MONOSHOCK WP KIT</p>  <p>12</p>
<p>PIPES, SILENCER</p>  <p>13</p>	<p>AIR FILTER BOX</p>  <p>14</p>	<p>TANK, SEAT, COVER</p>  <p>15</p>	<p>MASK, FENDERS</p>  <p>17</p>

DECAL  19	FRONT WHEEL  20	REAR WHEEL  21	WIRING HARNESS  22
BATTERY  23	HAND BRAKE CYLINDER  24	REAR BRAKE CONTROL  25	BRAKE CALIPER FRONT  26
BRAKE CALIPER REAR  27	LIGHTING SYSTEM  28	SPEEDOMETER  29	SPECIAL TOOLS  30

		<p>All information contained is without obligation. KTM-Sportmotorcycle AG particularly reserves the right to modify any equipment, technical specifications, prices, colors, shapes, materials, services, service work, constructions, equipment and the like so as to adapt them to local conditions or to cancel any of the above items, all without previous announcement and without giving reasons. KTM may stop manufacturing certain models without previous notice. KTM shall not be held liable for any deviations of availability and/or ability to deliver, illustrations, descriptions, printing and/or other errors. The illustrated models partly contain extra equipment, which is not applied to standard models. © 2004 by KTM-SPORTMOTORCYCLE AG, Mattighofen AUSTRIA; All rights reserved; Reprint, also in extracts, with written allowance of KTM-SPORTMOTORCYCLE AG, Mattighofen only.</p>	

FRONT FORK WP USD 48

950 SUPERMOTO ORANGE EU 2005

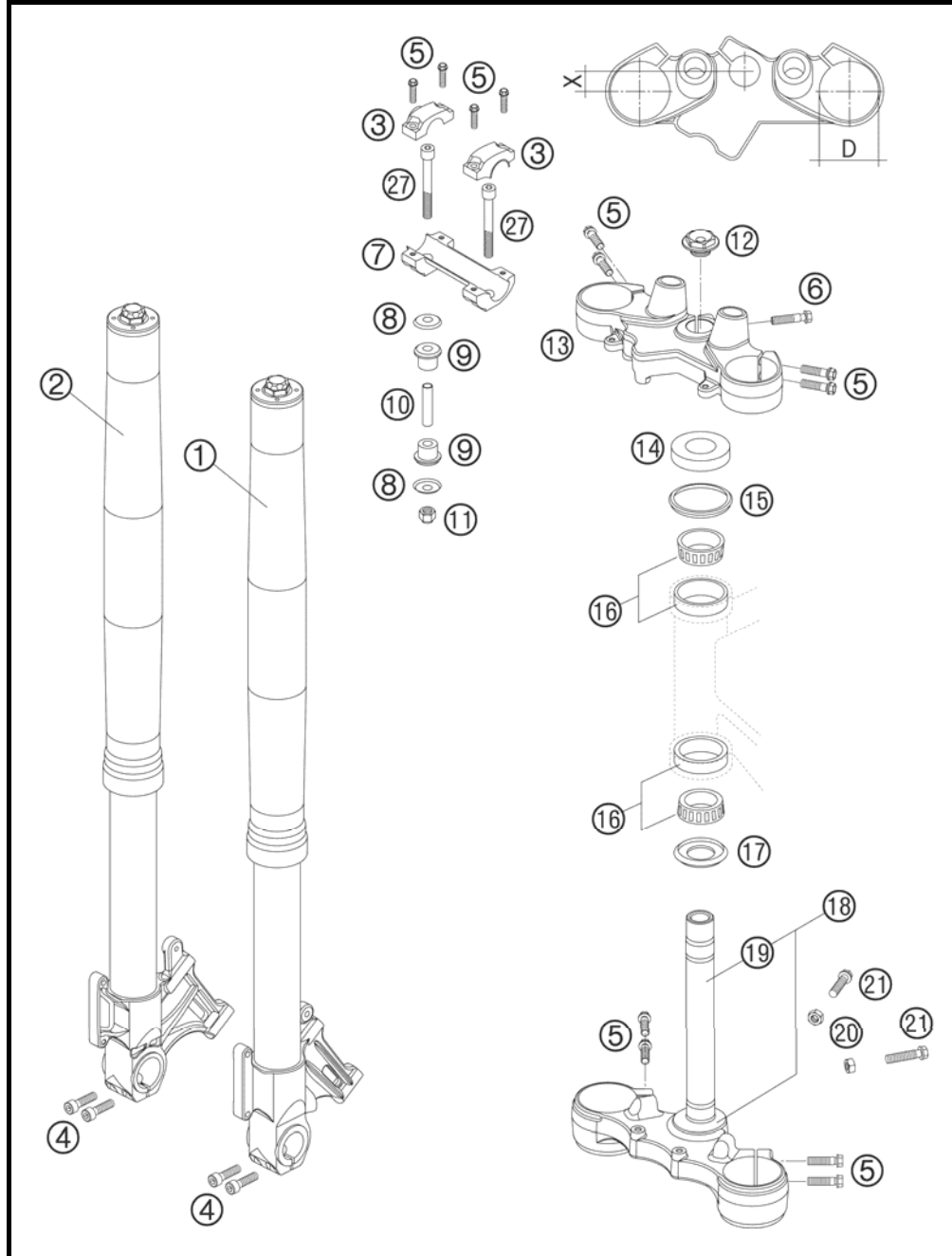


FIG	PART NUMBER	DESCRIPTION	QTY
1	14187A20LS	FORK LEG L/S WP48 950 SM 05	1
2	14187A20RS	FORK LEG R/S WP48 950 SM 05	1
3	59001038300	HANDLEBAR CAMP 28MM ELOX. 05	2
4	0912080303	AH SCREW DIN0912-M 8X30	4
5	0015080303	HH COLLAR SCREW M 8X30 WS=10	12
6	0015080353	HH COLLAR SCREW M 8X35 WS=10	1
7	59001039200	HANDLEBAR SUPPORT 28 MM ELOX.	1
8	56401042000	WASHER 10,5X32X2	4
9	56401040000	RUBBER BUSHING	4
10	56401041100	SPACER TUBE 10,2X12X44	2
11	0982100003	SELF LOCK.NUT DIN0982-M10 HIGH	2
12	54801036000	STEER.HEAD SCREW M20X1,5 WS=27	1
13	62501034030	TOP TRIPLE CLAMP 05	1
14	54201086000	STEERING HEAD COVER	1
15	54601184000	STEERING HEAD GASKET TOP	1
16	54201081100	TAPERED ROLLER BEARING CPL. 06	2
17	54601084100	O-RING SUPPORT W. SEALING LIP	1
18	62501032030	BOT.TRIPLE CLAMP CPL. 05	1
19	60001033000	FORK TUBE LC8 ADV 03	1
20	0934080003	HEXAGON NUT DIN0934-M 8	2
21	0933080303	HH SCREW DIN0933-M 8X30	2
27	0984100703	AH SCREW DIN0912-M10X70	2

056250100 / C056250100

* NEW PART

X AS REQUIRED

FORK LEGS

950 SUPERMOTO ORANGE EU 2005

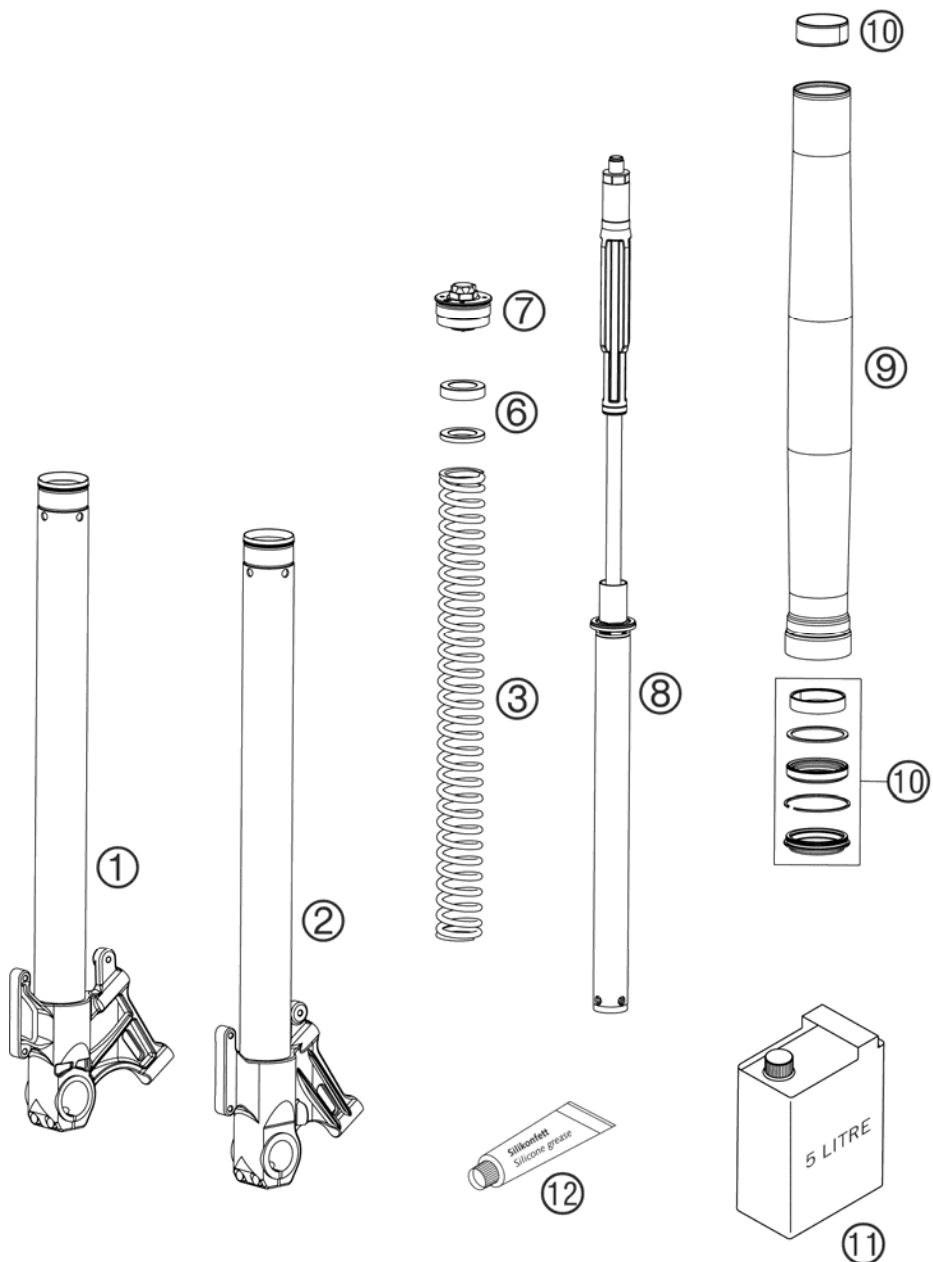


FIG	PART NUMBER	DESCRIPTION	QTY
1	48600482S1	AXLE CLAMP R/S CPL. 05	1
2	48600483S1	AXLE CLAMP L/S CPL. 05	1
3	91410044S	SPRING C=5,6 L=450 D=5,5 05	1
6	48600036	SPACER 42X26,5X2,5	2
6	48600037	SPACER 42X26,5X5	2
6	48600053	SPACER 42X26,5X1,5	2
7	48600431S	PRE-LOAD ADJ. CPL. M51X1,5 05	2
8	48600502S	CARTRIDGE CPL. 05	2
9	48600484	OUTER TUBE L=500MM D=54/60	2
10	R14011	REPAIR-KIT GASKET 05	1
11	48600401S1	FORK OIL SAE 5 2005	1
12	T511	SILICONE GREASE F. DUST STRIP.	1

056250102 / C056250102

* NEW PART

X AS REQUIRED

HANDLEBAR, CONTROLS

950 SUPERMOTO ORANGE EU 2005

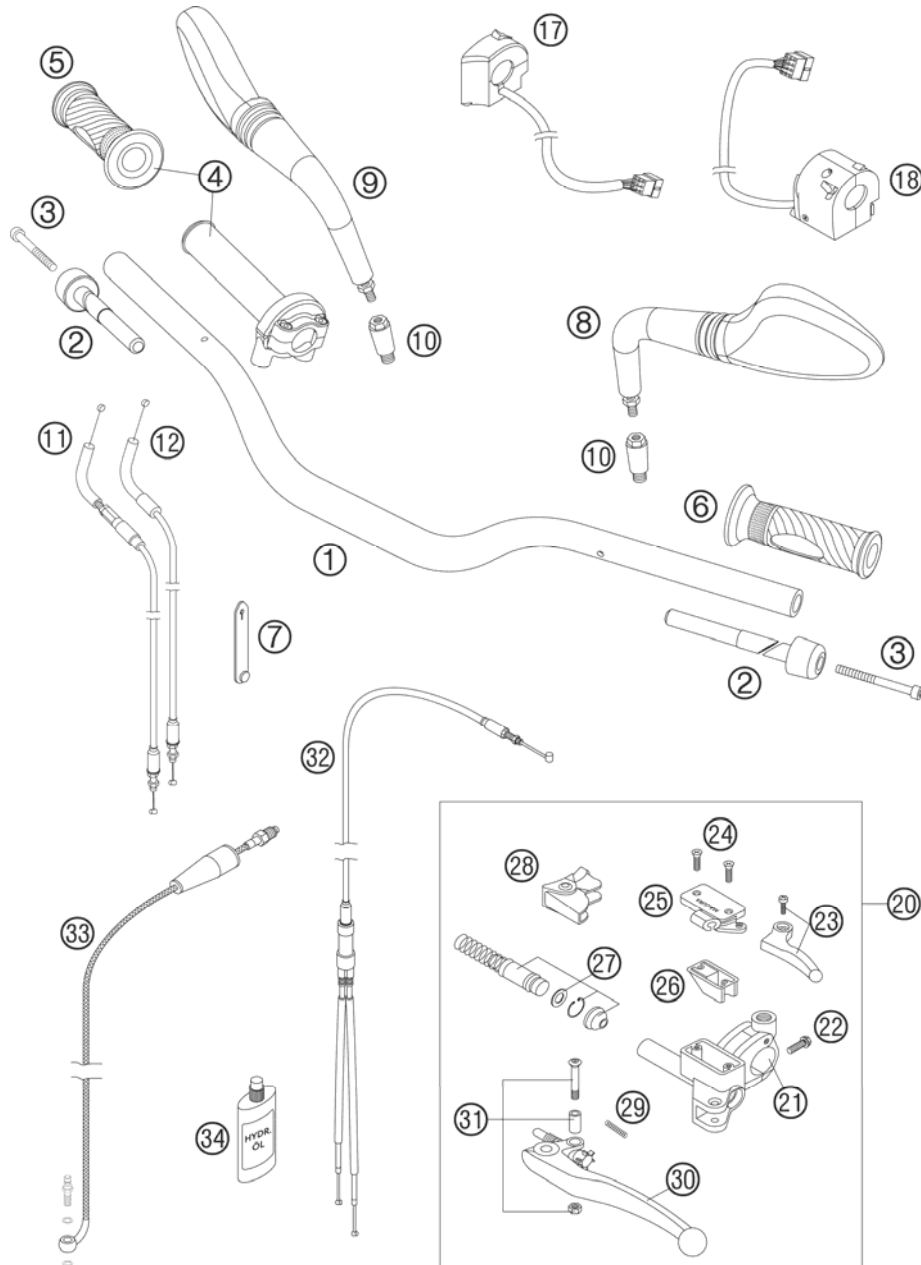


FIG	PART NUMBER	DESCRIPTION	QTY
1	62502001000	HANDLEBAR ALU	05
2	61002004000	VIBRATIONS ABSORBER	05
3	0912060653	AH SCREW DIN0912-M 6X65	2
4	61002010000	THROTTLE GRIP	05
5	61002013000	TWIST GRIP COVER PERFORATED	05
6	61002052000	FIXED GRIP PERFORATED	05
7	60011093045	RUBBER CABLE TIE 45MM	03
8	58712040100	REAR MIRROR L/S	05
9	58712041100	REAR MIRROR R/S	05
10	58412040050	SUPPORT FOR MIRROR LC4 '98	2
11	62502091000	THROTTLE CABLE OPEN	05
12	62502092000	THROTTLE CABLE CLOSE	05
17	58411074300	START-STOP SWITCH AD	03
18	61011070000	LIGHT SWITCH	05
20	60002030000	MASTER CYLINDER CPL. LC8 2003	1
21	60002044000	CLAMP MIRROR WITH CLAMP	1
22	0015060203	HH COLLAR SCREW M 6X20 WS=8	1
23	60036050000	CHOKE LEVER CPL. LC8 2003	1
24	0965040123	FLAT HEAD SCREW DIN0965-M 4X12	2
25	60002033000	COVER HYD.CLUTCH LC8 2003	1
26	50302034000	RUBBER FOR RESERVOIR '98	1
27	50302032000	REP.SET PISTON CLUT.HYDR. '98	1
28	50302037000	PROTECT.CAP FOR LEVER PERCH'98	1
29	59002035000	SPRING FOR CLUTCH LEVER	03
30	60002031000	CLUTCH LEVER LONG CPL. 2003	1
31	50302038000	LEVER SCREW CPL. 125-200 '98	1
32	60002095000	CHOKE CABLE LC8 ADVENTURE	03
33	60032063100	CLUTCH PIPE LC8 ADV '03	1
34	50302036200	OIL FOR HYD. CLUTCH 75ML	1

056250200 / C056250200

* NEW PART

X AS REQUIRED

FRAME, SUB FRAME

950 SUPERMOTO ORANGE EU 2005

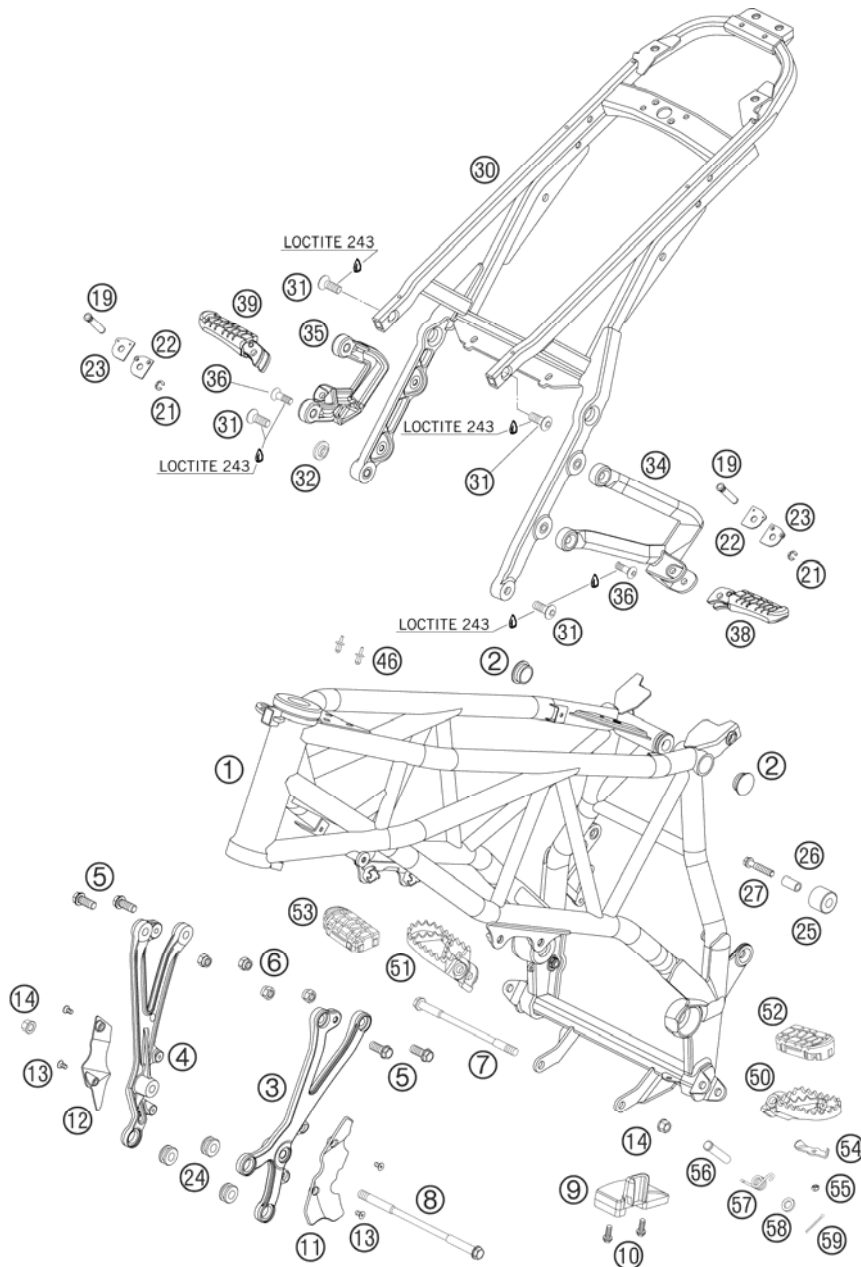


FIG	PART NUMBER	DESCRIPTION	QTY
1	6250300100093	FRAME "FC05" 950SM SILVER 05	1
2	61003088000	PLUG SFL28 05	2
3	62503005000	ENGINE SUPPORT LEFT 05	1
4	62503006000	ENGINE SUPPORT RIGHT 05	1
5	0015100243	HH COLLAR SCREW M10X24 WS=13	4
6	54310086100	SELF LOCKING NUT M10 CU WS=14	4
7	60003013000	ENGINE BRAC. SCREW M10X172 03	1
8	60003014000	ENGINE BRAC. SCREW M10X206 03	1
9	60004076100	CHAIN SLIDING BLOCK 05	1
10	0015060163	HH COLLAR SCREW M 6X16 WS=8	2
11	62503005050	COVER ENGINE SUPPORT LEFT 05	1
12	62503006050	COVER ENGINE SUPPORT RIGHT 05	1
13	0991050102	FLAT H.SCEW DIN7991-M5X10 10.9	4
14	54630044000	COLLAR NUT M10 WS=13	2
19	60003044000	BOLT FOR FOOTREST REAR 03	2
21	0799060003	TAB WASHER DIN6799-RS 6,0	2
22	60003152000	ENGAGE PANEL FOOTREST L/S 03	2
23	60003052000	ENGAGE PANEL FOOTREST R/S 03	2
24	60003098000	RUBBER SLEEVE 03	3
25	58403060000	CHAIN ROLL 12X29X22,5 '98	1
26	58403060065	BUSH CHAIN ROLL 8X12X23 '98	1
27	0015080403	HH COLLAR SCREW M 8X40 WS=10	1
30	62503002000	SUB FRAME ALUMINIUM 05	1
31	60003004027	FL.HEAD SCREW M10X1,25 L=27 03	4
32	60003001051	COLLAR BUSHING 10X15X25X4 03	1
34	62503048000	FOOTREST BRACKET REAR L/S 05	1
35	62503049000	FOOTREST BRACKET REAR R/S 05	1
36	54510052100	SPROCKET SCREW-AH M8X26 WS=6	4
38	60003050000	FOOTREST CPL. L/S REAR 03	1
39	60003051000	FOOTREST CPL. R/S REAR 03	1
46	60003088000	PLASTIC CAP FOR M6 03	4
50	59003040250	FOOT PED L/S SILVER 02	1
51	59003041250	FOOT PED R/S SILVER 02	1
52	60003040010	FOOTREST RUBBER FRONT L/S 03	1
53	60003041010	FOOTREST RUBBER FRONT R/S 03	1
54	60003044010	CLOSING PANEL FRONT L/S R/S 03	2

056250300 / C056250300

* NEW PART

X AS REQUIRED

FRAME, SUB FRAME

950 SUPERMOTO ORANGE EU 2005

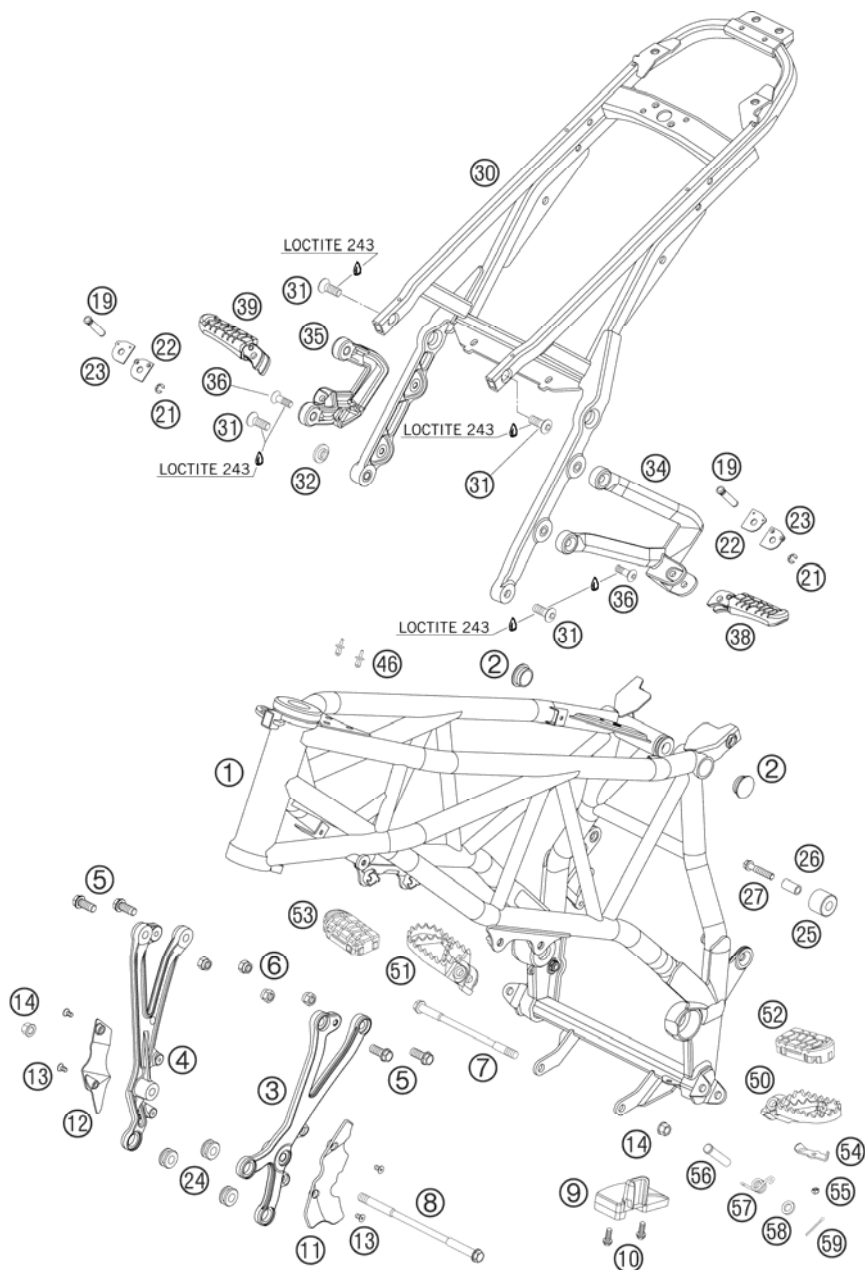


FIG	PART NUMBER	DESCRIPTION	QTY
55	0985050003	SELF LOCKING NUT DIN0985-M 5	2
56	54803044000	BOLT FOR FOOT PED 03	2
57	54603041000	FOOTREST SPRING L/S & R/S	2
58	0125100003	WASHER DIN0125-A10,5	2
59	0094032253	PIN DIN0094-3,2X25 STEEL	2

056250300 / C056250300

* NEW PART

X AS REQUIRED

SIDE STAND

950 SUPERMOTO ORANGE EU 2005

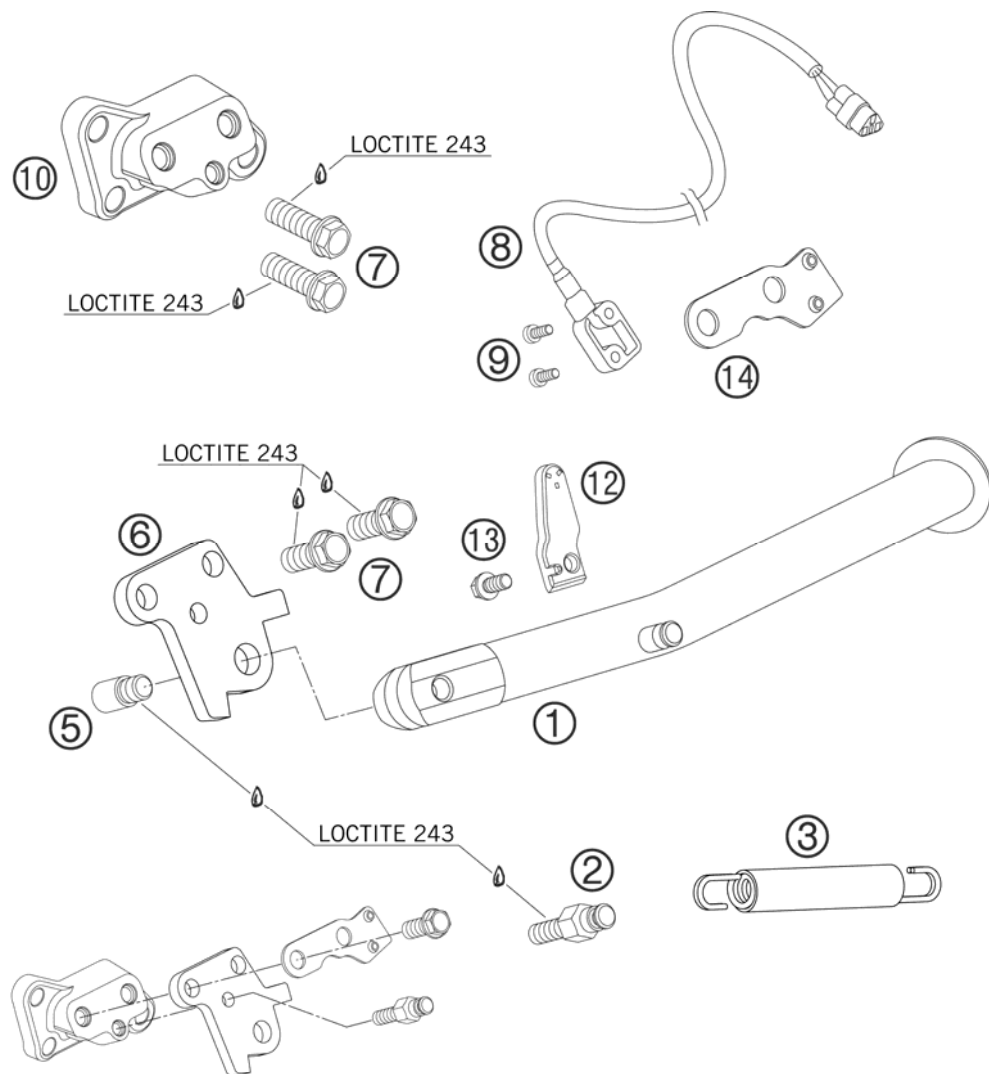


FIG	PART NUMBER	DESCRIPTION	QTY
1	6250302300093	SIDE STAND L=236MM 05	1
2	61003028001	SCREW SIDE STAND SPRING 05	1
3	61003024000	SPRING L=116 MM 05	1
5	62503027000	SPECIAL SCREW M10 05	1
6	62503028010	SIDE STAND PICKUP 05	1
7	0015100303	HH COLLAR SCREW M10X30 WS=13	4
8	61011045000	SIDE STAND SWITCH 05	1
9	0084040103	CYL.HEAD SCREW DIN84A M4x10	2
10	61003026000	SIDE STAND BRACKET 05	1
12	62503029050	MAGNET HOLDER 05	1
13	0015060123	HH COLLAR SCREW M 6X12 WS=8	1
14	62503029000	SUPPORT SIDE STAND SWITCH 05	1

056250301 / C056250301

* NEW PART

X AS REQUIRED

SWINGARM

950 SUPERMOTO ORANGE EU 2005

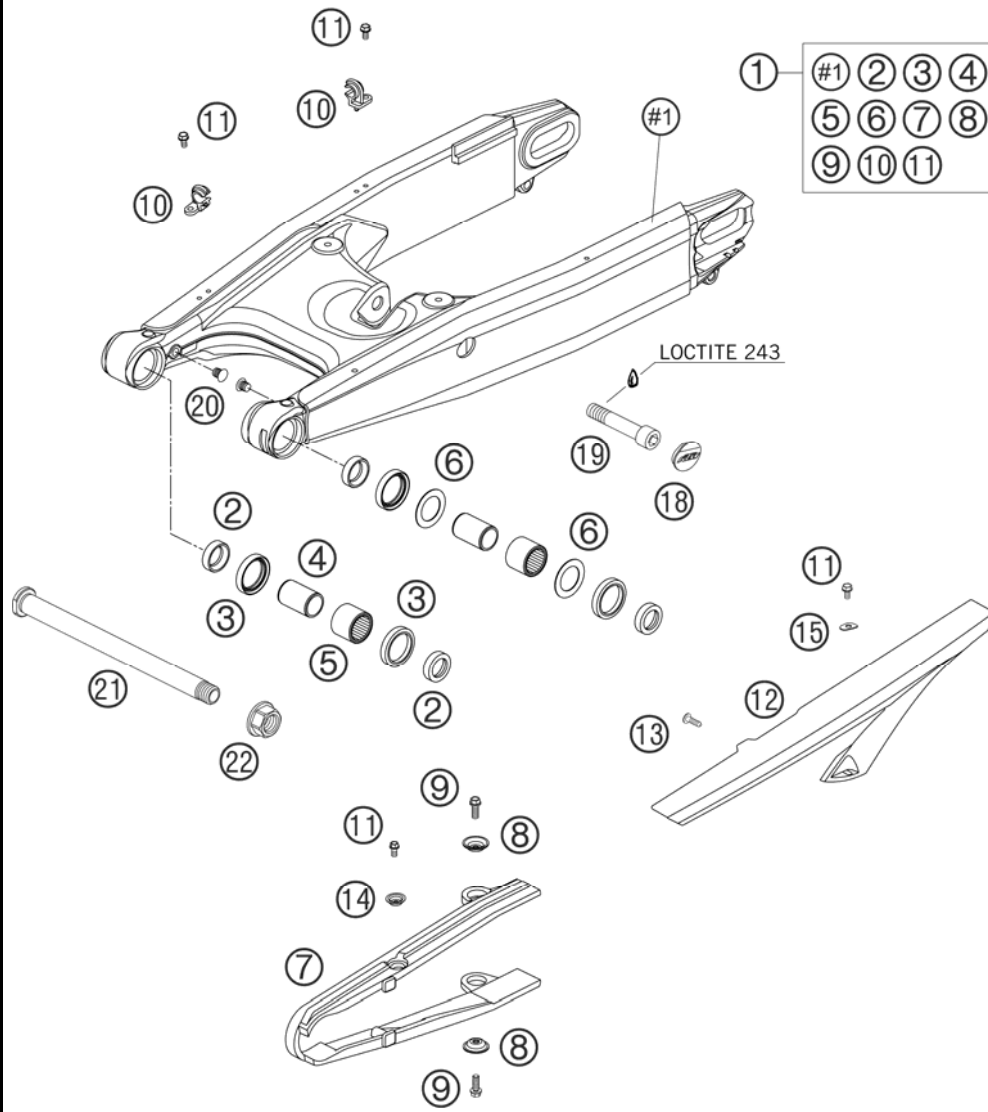


FIG	PART NUMBER	DESCRIPTION	QTY
1	61004030044	SWINGARM CPL. 990 DUKE 05	1
2	60004034000	BUCKET F. SHAFT SEAL RING 03	4
3	0760304073	SHAFT SEAL RING 30X40X7	4
4	60004032000	INNER RING JR20X25X38,5 03	2
5	60004031000	NEEDLE BUSH HK2526B 03	2
6	60004033000	STOP DISK 03	2
7	60004066100	CHAIN SLID. GUARD SWINGARM 05	1
8	72210079000	BUCKET	2
9	0015060163	HH COLLAR SCREW M 6X16 WS=8	2
10	5461107610030	RET. CLAMP F. BRAKE HOSE BLACK	2
11	0009050103	SPECIAL SCREW M 5,0X10	4
12	61004060000	CHAINGUARD 05	1
13	0081500181	SCREW FOR PLASTIC D=5X18	1
14	46104066050	BUSH FOR CHAIN SLIDER GUARD 02	1
15	61004060050	WASHER CHAINGUARD 05	1
18	60004041000	PLUG SWINGARM 03	1
19	60004017000	SCREW M14X1,5 L=73MM 03	1
20	60004042000	PLUG SFL12 GREY 05	2
21	60004037144	SWINGARM BOLT CPL. 05	1
22	60004038000	COLLAR NUT M19X1,5 WS=27MM 03	1

05610040 / C056250400

* NEW PART

X AS REQUIRED

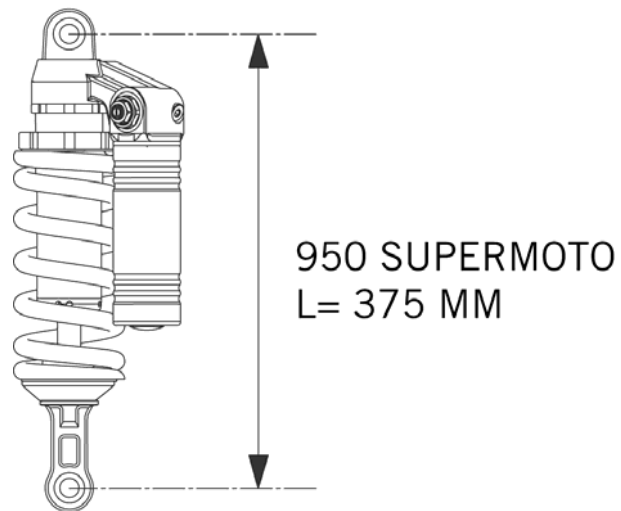
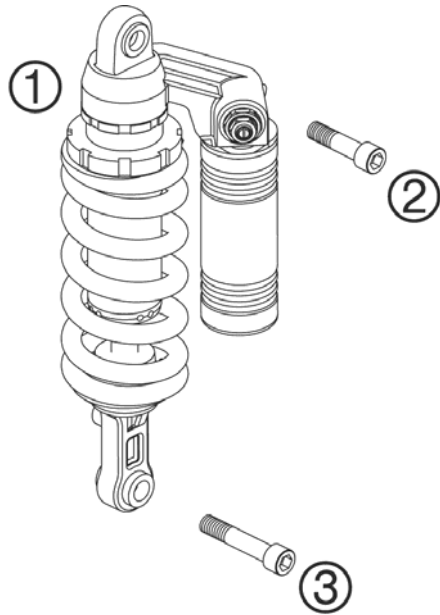


FIG	PART NUMBER	DESCRIPTION		QTY
1	15187A03	MONOSHOCK 950 SM	05	1
2	60004016000	SCREW M14X1,5 L=55MM	03	1
3	60004017000	SCREW M14X1,5 L=73MM	03	1

056250402 / C056250401

* NEW PART

X AS REQUIRED

MONOSHOCK WP KIT

950 SUPERMOTO ORANGE EU 2005

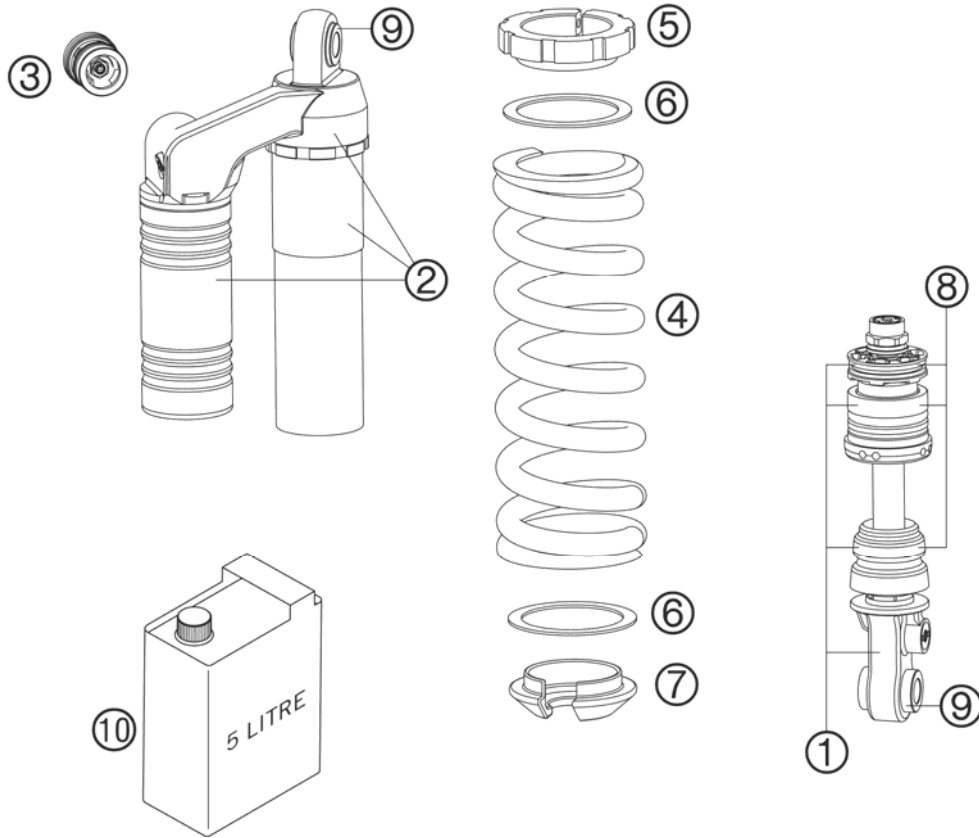


FIG	PART NUMBER	DESCRIPTION	QTY
1	46180399S1	MOUNT EYE CPL. 05	1
2	46180398S1	MONOSHOCK TOP 05	1
3	50180213S6	DCC-COMPR.DAMP.CONTROL CPL. 04	1
4	91010086S	SPRING 130-215 (59) D=13,5	1
4	91010171S	SPRING 120-215 (59) D=13,0	x
4	91010172S	SPRING 140-215 (59) D=13,75	x
5	46180394S	ADJUSTING NUT M52X1,5	1
6	50180410	INTERM.RING D=58	2
7	46180396	SPRING RETAINER H=15 D=28	1
8	R15004	REPAIR KIT GASKET 05	1
9	R15003	REPAIR KIT BEARINGS 05	1
10	50180466S1	SHOCK ABSORBER FLUID 5 LT 05	1

056250403 / C056250403

* NEW PART

X AS REQUIRED

PIPES, SILENCER

950 SUPERMOTO ORANGE EU 2005

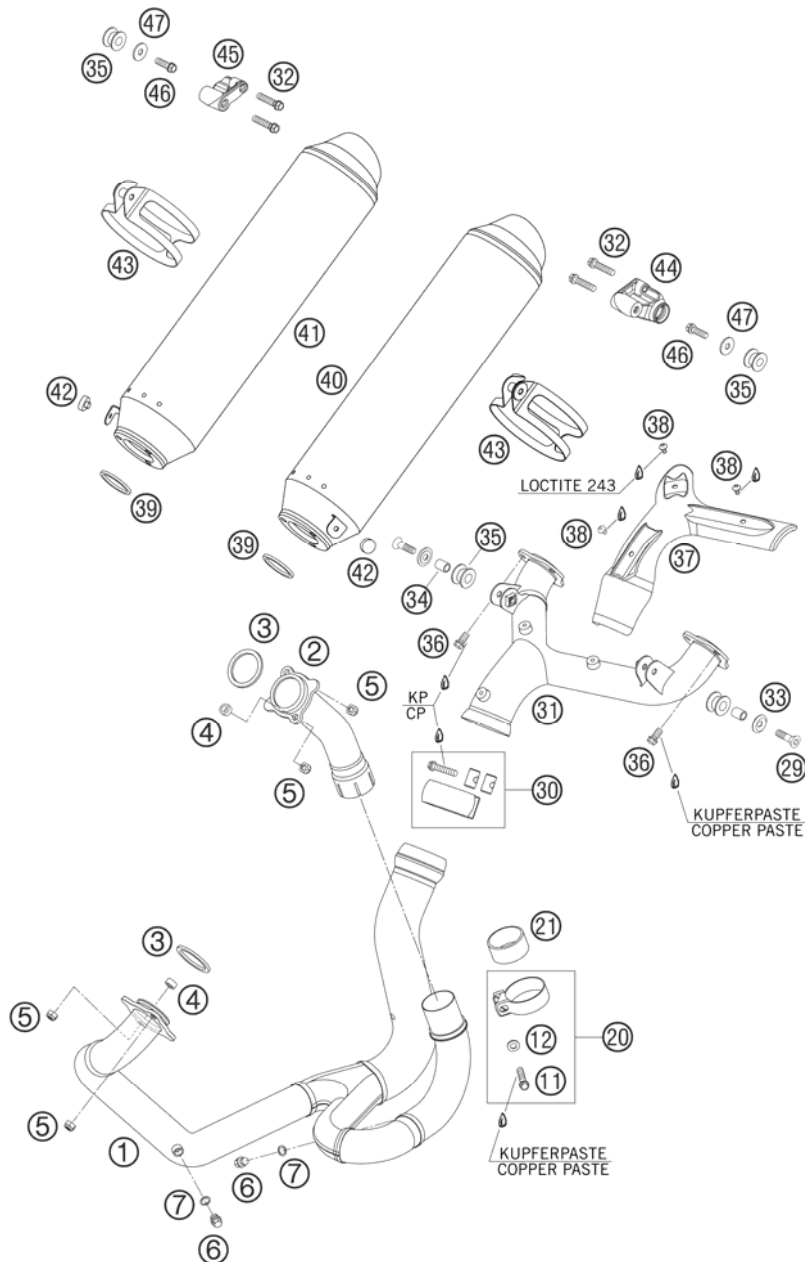


FIG	PART NUMBER	DESCRIPTION	QTY
1	62505007100	EXHAUST PIPE FRONT	05
2	62505008000	EXHAUST PIPE REAR	05
3	60005005000	GASKET	03
4	61005009000	SPACER BUSH. 8,5X15X7,5	05
5	51010086100	SELF LOCKING NUT M 8 CU	
6	0908100000	PLUG DIN0908-M10X1 A2	
7	0603100141	COPPER GASKET DIN7603-10X14X1	
11	0015080403	HH COLLAR SCREW M 8X40 WS=10	
12	0125080003	WASHER DIN0125-A 8,4	
20	61005051100	CLAMP CPL. D=53,2MM	05
21	58405005001	GRAPHITRING 45X50X25	
29	0991080353	FLAT HEAD SCREW DIN7991-M 8X35	
30	61005052000	EXHAUST CLAMP CPL.	05
31	62505048100	DISTRIBUTOR TUBE	05
32	0015080303	HH COLLAR SCREW M 8X30 WS=10	
33	58303061000	SPECIAL WASHER ALU 8 X 24 MM	
34	62505069000	SPACER BUSH. 8,5X12X18MM	05
35	54305068100	DAMP. COMPONENT SILICONE GREY	
36	0015080163	HH COLLAR SCREW M 8X16 WS=10	
37	62505047000	THERMAL SHIELD	05
38	58605083010	SCREW TORX M5X10	05
39	60005005002	EXHAUST GASKET	03
40	62505083100	SILENCER L/S	05
41	62505083000	SILENCER R/S	05
42	54308042000	RUBBER BUFFER	
43	60005095000	CLAMP FOR SILENCER CPL.	03
44	60005085000	SILENCER/HANDLE HOLDER L/S	03
45	60005086000	SILENCER/HANDLE HOLDER R/S	03
46	0015080253	HH COLLAR SCREW M 8X25 WS=10	
47	0021080003	WASHER DIN9021-A 8,4	
48	0797050000	TOOTH LOCK WASHER DIN6797-J	

056250500 / C056250500

* NEW PART

X AS REQUIRED

AIR FILTER BOX

950 SUPERMOTO ORANGE EU 2005

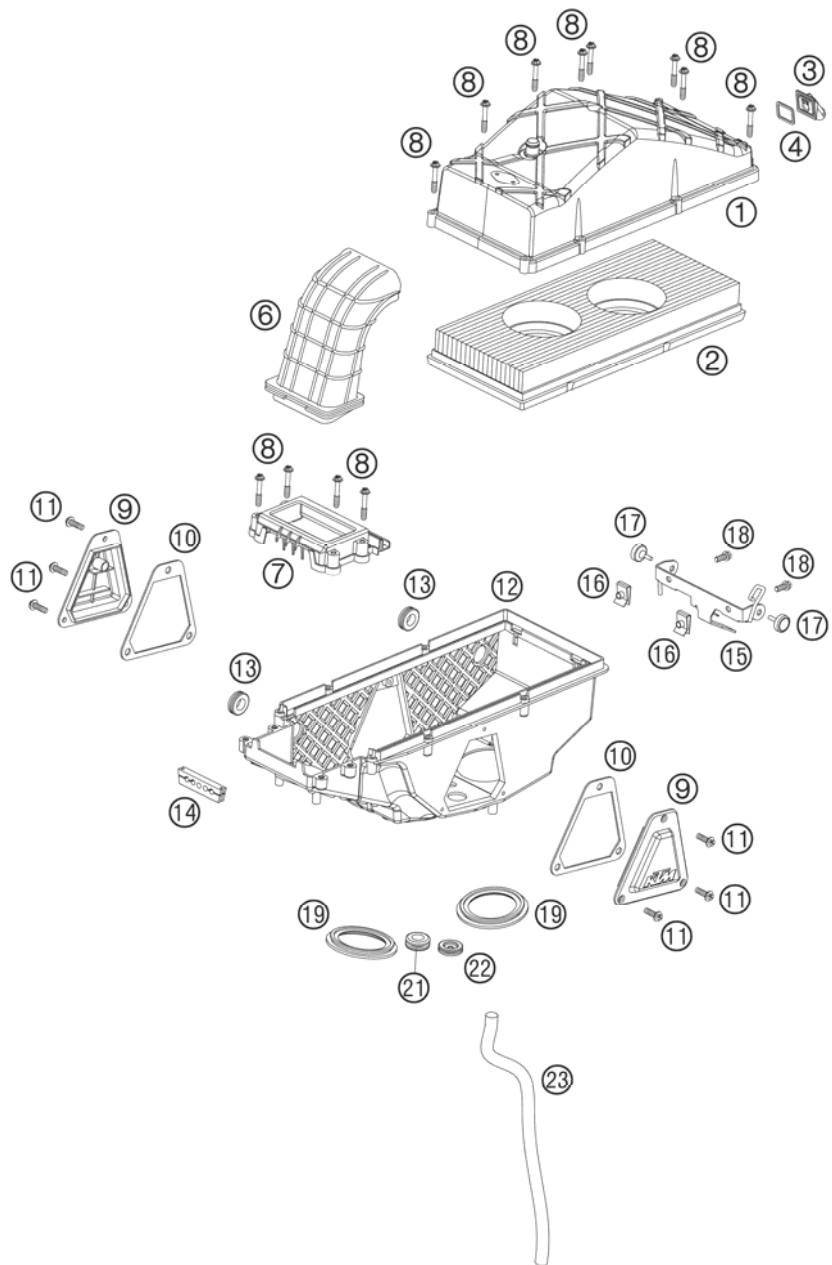


FIG	PART NUMBER	DESCRIPTION	QTY
1	60006002000	AIRBOX COVER LC8 03	1
2	60006015000	AIR FILTER LC8 03	1
3	60006007000	CONNECTOR FOR SAS LC8 03	1
4	60006007050	GASKET SAS CONNECTOR 03	1
6	60006040000	INTAKE SNORKEL 03	1
7	60006004000	AIRBOX FRONT PART LC8 03	1
8	60006006000	SPECIAL SCREW K60X35/15 03	12
9	60006003002	AIRBOX COVER L/S R/S 03	2
10	60006003050	GASKET F. AIRBOX COVER L/S R/S	2
11	0017060203	EJOT PT SCREW K60X20 WS=6	6
12	60006001000	FILTER BOX LOWER PART LC8 03	1
13	60006001040	RUBBER SLEEVE EPC HOSE	2
14	60006001030	RUBBER SLEEVE CABLE PASSAGE 03	1
15	60006001020	BRACKET PANEL SAS A. EPC 03	1
16	54603048100	RANGE CHANGE METAL NUT M6	2
17	60006001021	DISTANCE RUBBER AIRBOX 03	2
18	0015060163	HH COLLAR SCREW M 6X16 WS=8	2
19	60036045000	RUBBER SLEEVE AIRBOX 03	2
21	60006001041	RUBBER SLEEVE FUEL HOSE 03	1
22	60006001023	RUBBER SLEEVE STOP SCREW	1
23	57005020001	HOSE 10X14 PER METER	x

05600060 / C056250600

* NEW PART

X AS REQUIRED

TANK, SEAT, COVER

950 SUPERMOTO ORANGE EU 2005

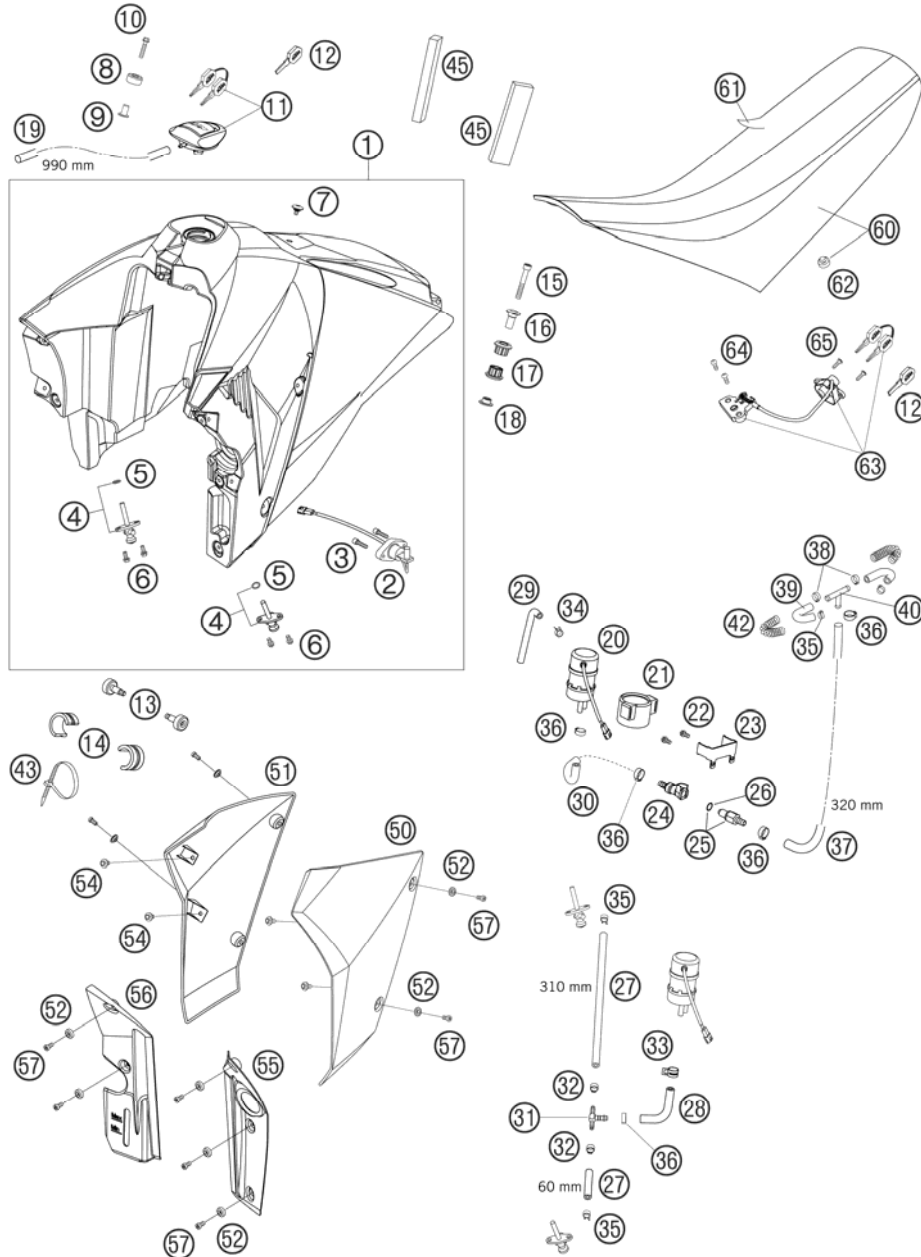


FIG	PART NUMBER	DESCRIPTION	QTY
1	625070130330A	FUEL TANK BLACK/ORANGE 05 WITH DECAL	1
2	58207080100	GAS-LEVEL SENSOR ADV. 2006	1
3	0912050163	AH SCREW DIN0912-M 5X16	2
4	58507003000	FUEL COCK CPL. SMALL RALLYE'96	2
5	55007006200	O-RING 11X1,8 NBR 70	2
6	0015060163	HH COLLAR SCREW M 6X16 WS=8	4
7	58407011100	SCREW FOR SEAT M6X11,5/8	1
8	50307014000	TANK ROLLER 12X26X12 '98	1
9	62503009000	COLLAR BUSHING 9,5X18X19,8X1,5	1
10	0015060303	HH COLLAR SCREW M 6X30 WS=8	1
11	58407008100	TANK PLUG LC4 USA '99	1
12	40011166100	KEY BLANK LC4/DUKE/LC8	1
13	62507026000	SPECIAL SCREW M8 05	2
14	61007014000	SPACER FUEL TANK 05	2
15	0912080503	AH SCREW DIN912 M8X50	1
16	60007060000	BEARING BUSHING OUTSIDE 03	1
17	60007065000	TANK RUBBER BUSHING 03	2
18	62507061000	BEARING BUSHING INSIDE 05	1
19	60007026001	HOSE NBR 5,4X9,4 PER METER	1
20	60012088100	FUEL PUMP 04	1
21	60012088050	FUEL PUMP HOLDER 03	1
22	0015060103	HH COLLAR SCREW M 6X10 WS=8	2
23	62512071000	SUPPORT FUEL PUMP 05	1
24	5850701050030	CLUTCH CPC BLACK 05	1
25	5850701030030	PLUG CPC BLACK 05	1
26	58507012000	O-RING VITON F. PLUG CPC 05	1
27	60007116001	HOSE 6X12 PER METER	x
28	62507016070	FUEL HOSE 05	1
29	62507016060	FUEL HOSE 05	1
30	50307016000	FUEL PREFORMED HOSE SX 2001	1
31	60007015100	T-CONNECTOR 6-6-8 MM 05	1
32	00050133706	VARIABLE ONE-EAR CLAMP 13,3MM	2
33	00049140121	CLAMP STD DN14	1
34	58007117000	YDNAC-CLAMP 10107 10MM	1
35	58031005000	CLAMP YDNAC 10128 12MM	4

056250700 / C056250700

* NEW PART

X AS REQUIRED

TANK, SEAT, COVER

950 SUPERMOTO ORANGE EU 2005

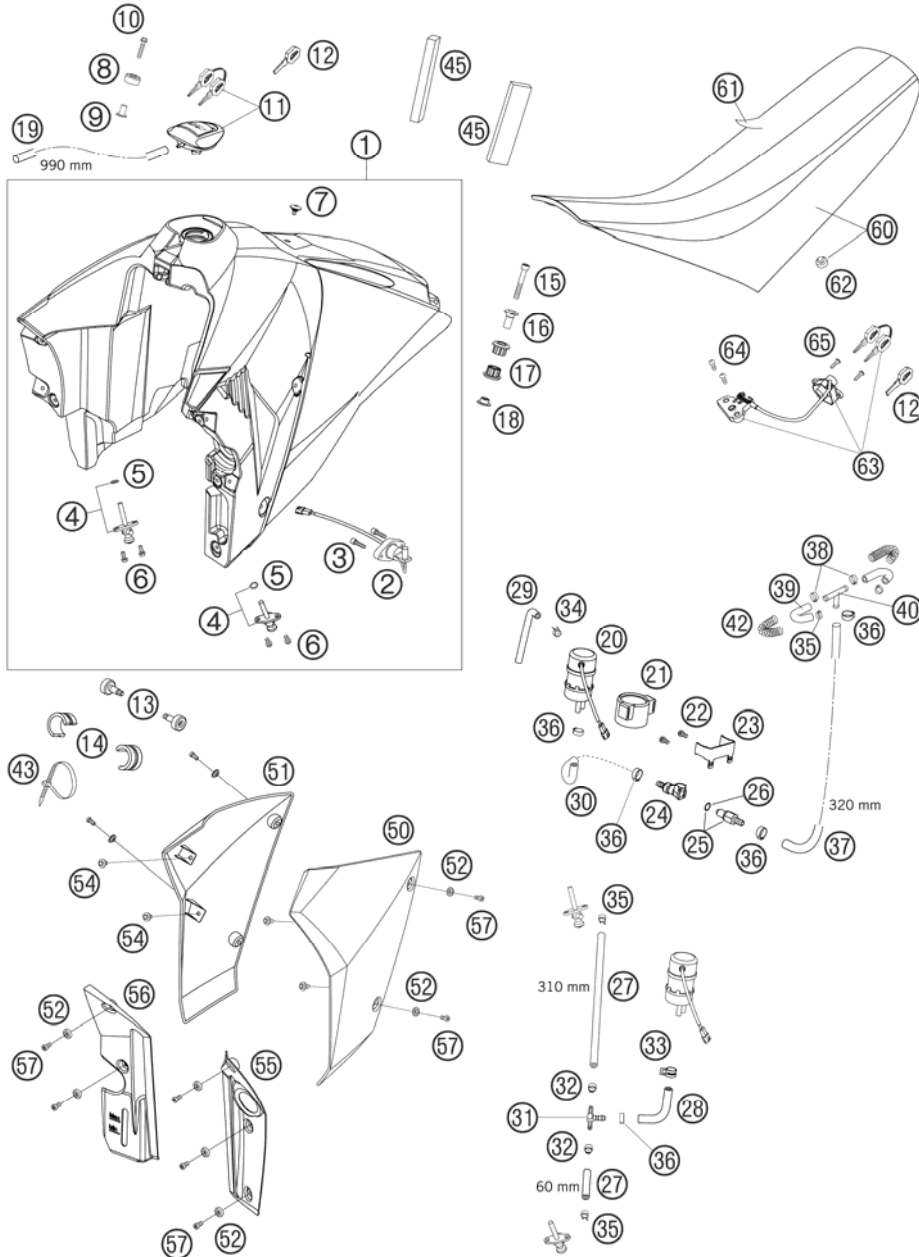


FIG	PART NUMBER	DESCRIPTION	QTY
36	00050153706	VARIABLE ONE-EAR CLAMP 15,3MM	5
37	60007016001	HOSE 7,5X13,5 PER METER	x
38	00050140706	VARIABLE ONE-EAR CLAMP 14,0MM	2
39	60007016000	FUEL PREFORMED HOSE 03	2
40	60007015000	T-CONNECTOR 8MM 03	1
42	60007016050	PROTECTION SPRING FUEL HOSE	2
43	44011076200	CABLE TIE 200/3,6MM BLACK	x
45	62507033000	FOAM 150X35X15 06	2
50	6250805000004A	SPOILER L/S ORANGE 05	1
		WITH DECAL	
51	6250805100004A	SPOILER R/S ORANGE 05	1
		WITH DECAL	
52	60008045000	SPECIAL WASHER D=16,5MM 03	9
54	0014060103	HH COLLAR SCREW M 6X10 WS=8	4
55	62508070000	COVER FUEL TANK L/S 05	1
56	62508071000	COVER FUEL TANK R/S 05	1
57	0012060123	AH SCREW DIN6912 M6X12	9
60	62507040000	SEAT 05	1
61	62507040050	SEAT COVER 05	1
62	61007040010	DISTANCE RUBBER SEAT 05	4
63	62507050000	SEAT LOCK 05	1
64	0738060181	COU.SUNK SCR. AH ISO7380 M6X18	2
65	0081500181	SCREW FOR PLASTIC D=5X18	2

056250700 / C056250700

* NEW PART

X AS REQUIRED

MASK, FENDERS

950 SUPERMOTO ORANGE EU 2005

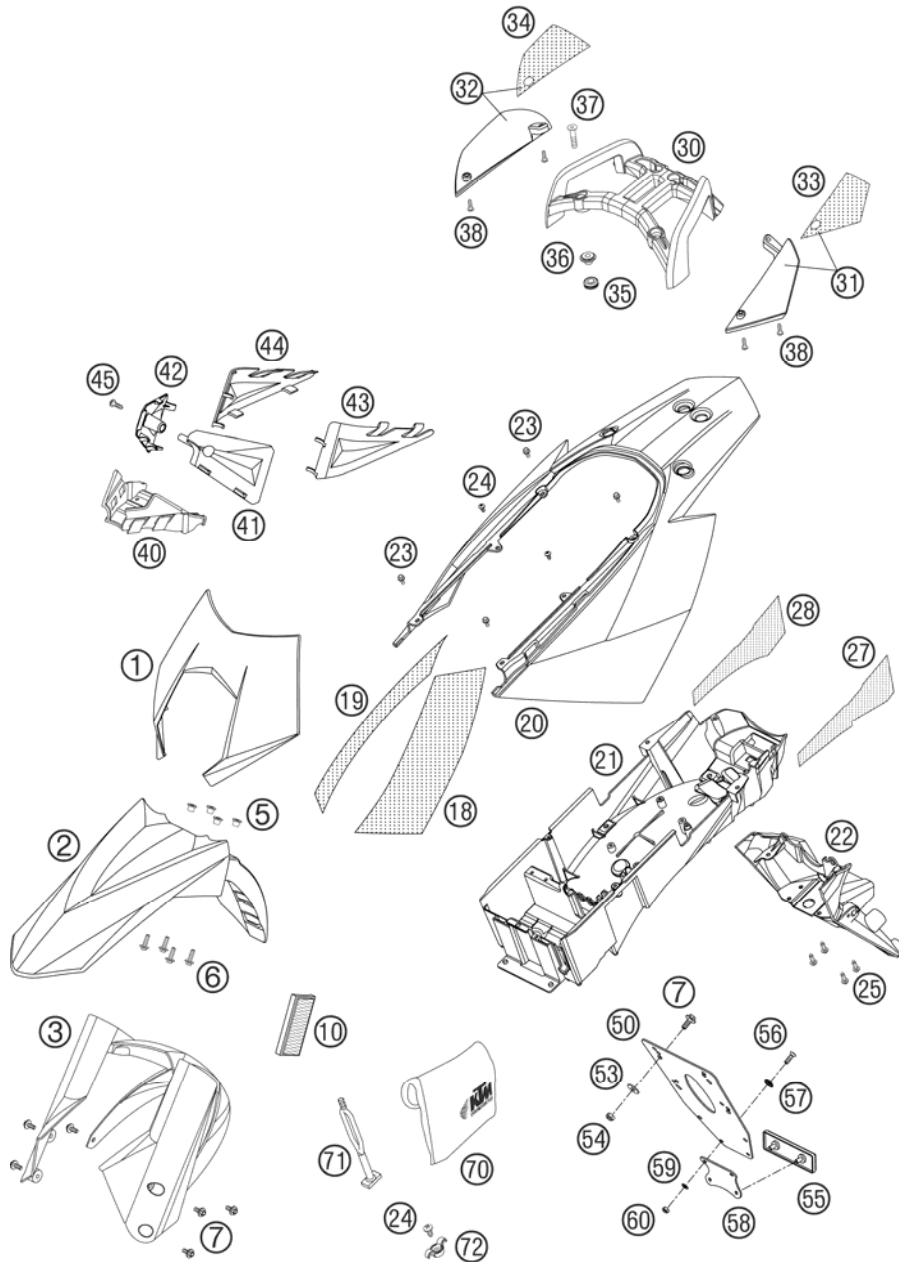


FIG	PART NUMBER	DESCRIPTION	QTY
1	5860800100004	HEAD LIGHT MASK ORANGE 05	1
2	6250801000004	FENDER FRONT ORANGE 05	1
3	62501094000	SPLASH PROTECT. 05	1
5	62508009000	COLLAR BUSHING 7,2X10X15X8,5	4
6	0014060203	HH COLLAR SCREW M 6X20 WS=8	4
7	0014060153	HH COLLAR SCREW M 6X15 WS=8	10
10	60012080000	SIDE REFLECTOR YELLOW 03 ONLY FOR AUS+UK	x
18	62508018050	THERM.PROTECT. FOIL L/S TOP 05	1
19	62508018060	THERM.PROTECT. FOIL R/S TOP 05	1
20	6250801800004A	REAR END TOP PART ORANGE 05 WITH DECAL	1
21	62508019000	REAR END LOWER PART 05	1
22	62508015000	NUMB.Plate CARRIER 05	1
23	0015050123	HH COLLAR SCREW M 5X12 WS=8	4
24	0016050121	SCREW FOR PLASTIC D=5X12	3
25	0017060203	EJOT PT SCREW K6X20 WS=6	4
27	62508019050	THERMAL PROTECTION FOIL L/S 05	1
28	62508019060	THERMAL PROTECTION FOIL R/S 05	1
30	62512010000	BAGGAGE RACK 05	1
31	62512008000	COVER SILENCER L/S 05	1
32	62512009000	COVER SILENCER R/S 05	1
33	62512008050	THERMAL PROTECTION FOIL L/S 05	1
34	62512009050	THERMAL PROTECTION FOIL R/S 05	1
35	41001052000	RUBBER SLEEVE D=12MM	4
36	60012008003	COLLAR BUSHING 8,2X12X28X9 03	4
37	0991080403	FLAT HEAD SCREW DIN7991-M 8X40	4
38	0081500181	SCREW FOR PLASTIC D=5X18	4
40	60003087000	SPLASH PROTECTOR FRAME 05	1
41	62503085000	COVER FRAME L/S FRONT 05	1
42	62503086000	COVER FRAME R/S FRONT 05	1
43	62503083000	COVER FRAME L/S REAR 05	1
44	62503084000	COVER FRAME R/S REAR 05	1
45	0081500181	SCREW FOR PLASTIC D=5X18	1
50	60012081100	LICENCE NUMBER PLATE 05	1
53	0021060003	WASHER DIN9021-A 6,4	4

056250800 / C056250800

* NEW PART

X AS REQUIRED

MASK, FENDERS

950 SUPERMOTO ORANGE EU 2005

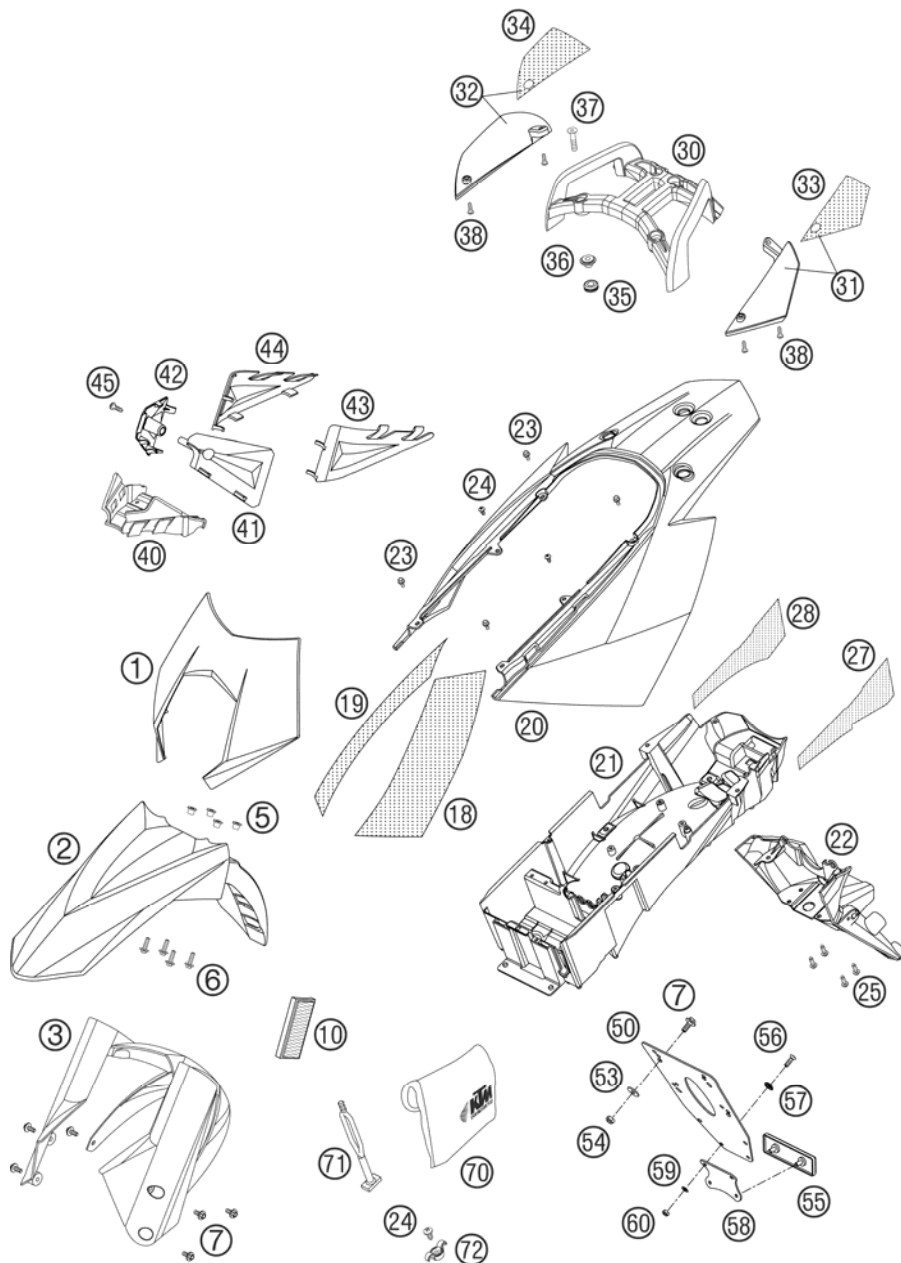


FIG	PART NUMBER	DESCRIPTION	QTY
54	0985060003	SELF LOCK. NUT DIN0985-M 6	4
55	58412080000	REFLECTOR RED LC4 '98	1
56	0966050163	OVAL HEAD SCREW DIN0966-M 5X16	2
57	40006006000	WASHER 6MM	2
58	58412080050	BRACKET FOR REFLECTOR	1
59	0125050003	WASHER DIN0125-A 5,3	2
60	0985050003	SELF LOCKING NUT DIN0985-M 5	2
70	61029099000	TOOL SET 950/990	05
71	50303018000	RUBBER L=145MM	1
72	62508021000	SUPPORT TOOL SET	05

056250800 / C056250800

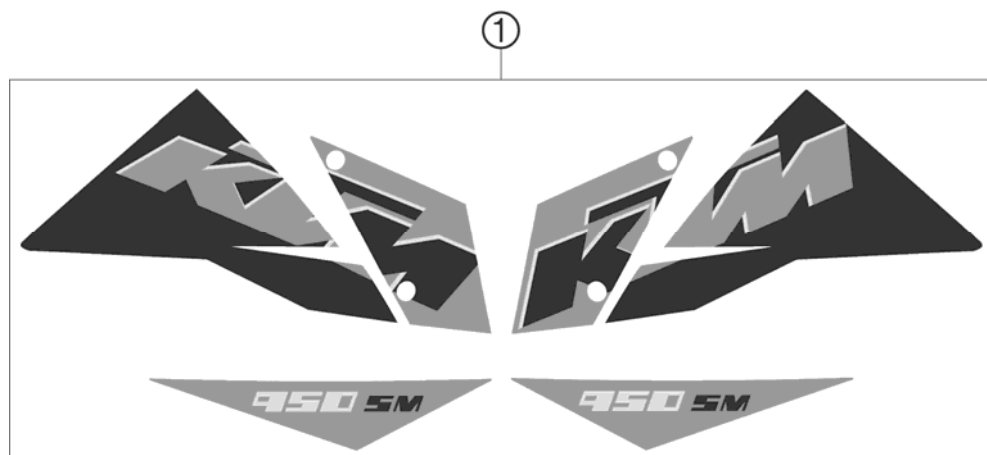
* NEW PART

X AS REQUIRED

DECAL

950 SUPERMOTO ORANGE EU 2005

FIG	PART NUMBER	DESCRIPTION	QTY
1	62508099000	DECAL SET ORANGE 05	1



056250801 / C056250801

* NEW PART

X AS REQUIRED

FRONT WHEEL

950 SUPERMOTO ORANGE EU 2005

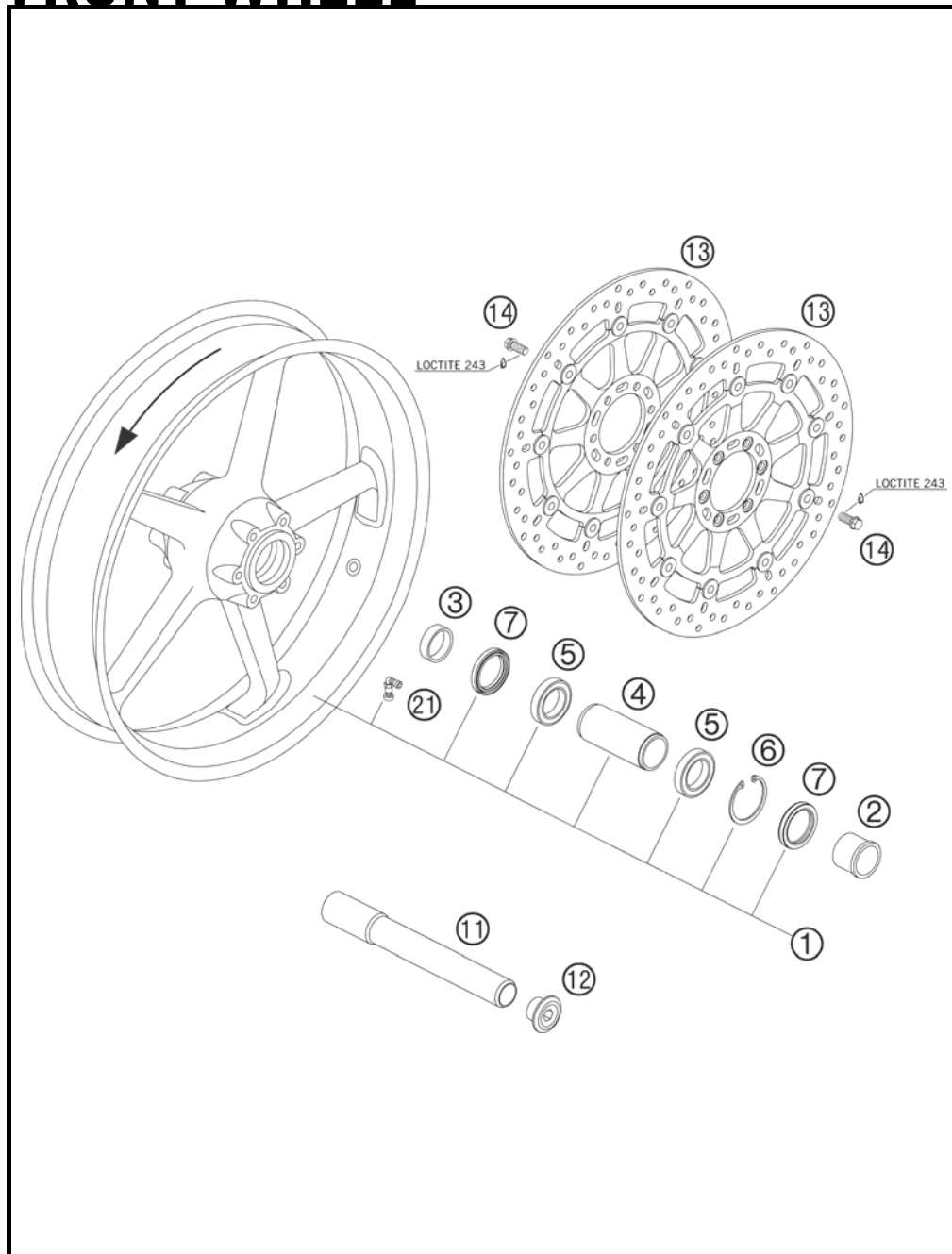


FIG	PART NUMBER	DESCRIPTION	QTY
1	61009001044	FRONT WHEEL CPL. 05	1
2	61009012000	SPACER BUSH. FR. WHEEL L/S 05	1
3	60009013000	SPACER BUSH. FR. WHEEL R/S 03	1
4	61009011000	BEARING SPACER TUBE FRONT 05	1
5	0625069068	GR.BALL BEAR.6906 DDU2CG23S6NM	2
6	0472048175	LOCK RING DINO472-48X1,75	1
7	0760354771	SHAFT SEAL RING 35X47X7 TC	2
11	61009081000	WHEEL SPINDEL FRONT 05	1
12	61009082000	AH SCREW M25X1,5 WS=12 05	1
13	62509060000	BRAKE DISK D=305MM 05	2
14	61009062018	SPECIAL SCREW M8X18 05	12
21	61009076000	VALVE ANGLED 90° 05	1

05610091 / C056250900

* NEW PART

X AS REQUIRED

REAR WHEEL

950 SUPERMOTO ORANGE EU 2005

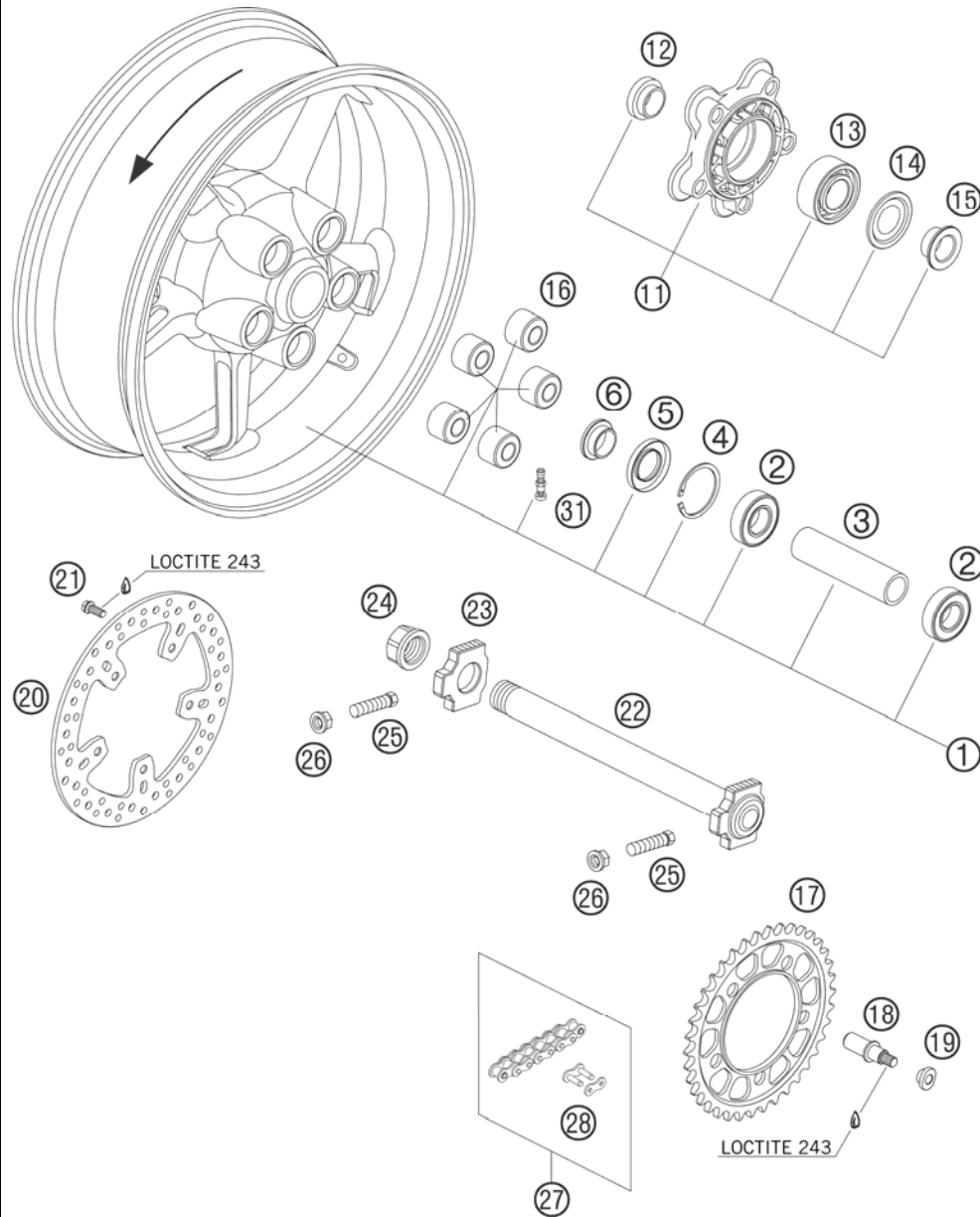


FIG	PART NUMBER	DESCRIPTION	QTY
1	61010001044	REAR WHEEL CPL. 05	1
2	0625062052	GR.BALL BEAR. 6205-2RSHC3HMTF7	2
3	61010011000	BEARING SPACER TUBE REAR 05	1
4	0472052200	CIRCLIP DIN0472-52X2	1
5	0760305271	SHAFT SEAL RING 30X52X7	1
6	60010013000	SPACER BUSH. REAR WHEEL R/S 03	1
11	61010050044	SPROCKET SUPPORT CPL. 05	1
12	60010014000	SPACER BUSH. SPR. SUPP. IN. 03	1
13	0625032067	BALL BEARING 3206 2RS1	1
14	60010016000	NILOS RING 7206 AVH 03	1
15	60010012000	SPACER BUSH. SPROCKET SUPP. 03	1
16	61010059000	DAMPING RUBBER 05	5
17	61010051138	REAR SPROCKET 38-T STEEL 05	x
17	61010051139	REAR SPROCKET 39-T STEEL 05	x
17	61010051140	REAR SPROCKET 40-T STEEL 05	x
17	61010051141	REAR SPROCKET 41-T STEEL 05	1
17	61010051142	REAR SPROCKET 42-T STEEL 05	x
18	61010056000	BOLT FOR SPROCKET SUPPORT 05	5
19	61010057000	NUT REAR SPROCKET 05	5
20	61010060000	BRAKE DISK REAR D=240MM 05	1
21	61009062018	SPECIAL SCREW M8X18 05	5
22	60010081044	WHEEL SPINDLE REAR CPL. 03	1
23	60010084000	CHAIN TENSIONER R/S LC8 03	1
24	61010086000	COLLAR NUT M25X1,5 WS=32 05	1
25	50304040000	SPEC. SCREW M10X1,25X40 WS=10	2
26	58414030000	HH COLLAR NUT M10X1,25 WS=13	2
27	60010165118	CHAIN 525 WITH MASTER LINK 03	1
		CUT TO 112 CHAIN LINKS	
28	60010066000	MASTER LINK FOR CHAIN 525 03	x
		NEED RIVET TOOL	
31	58709076000	VALVE CPL. BREMBO DUKE 2003	1

05610101 / C056251000

* NEW PART

X AS REQUIRED

WIRING HARNESS

950 SUPERMOTO ORANGE EU 2005

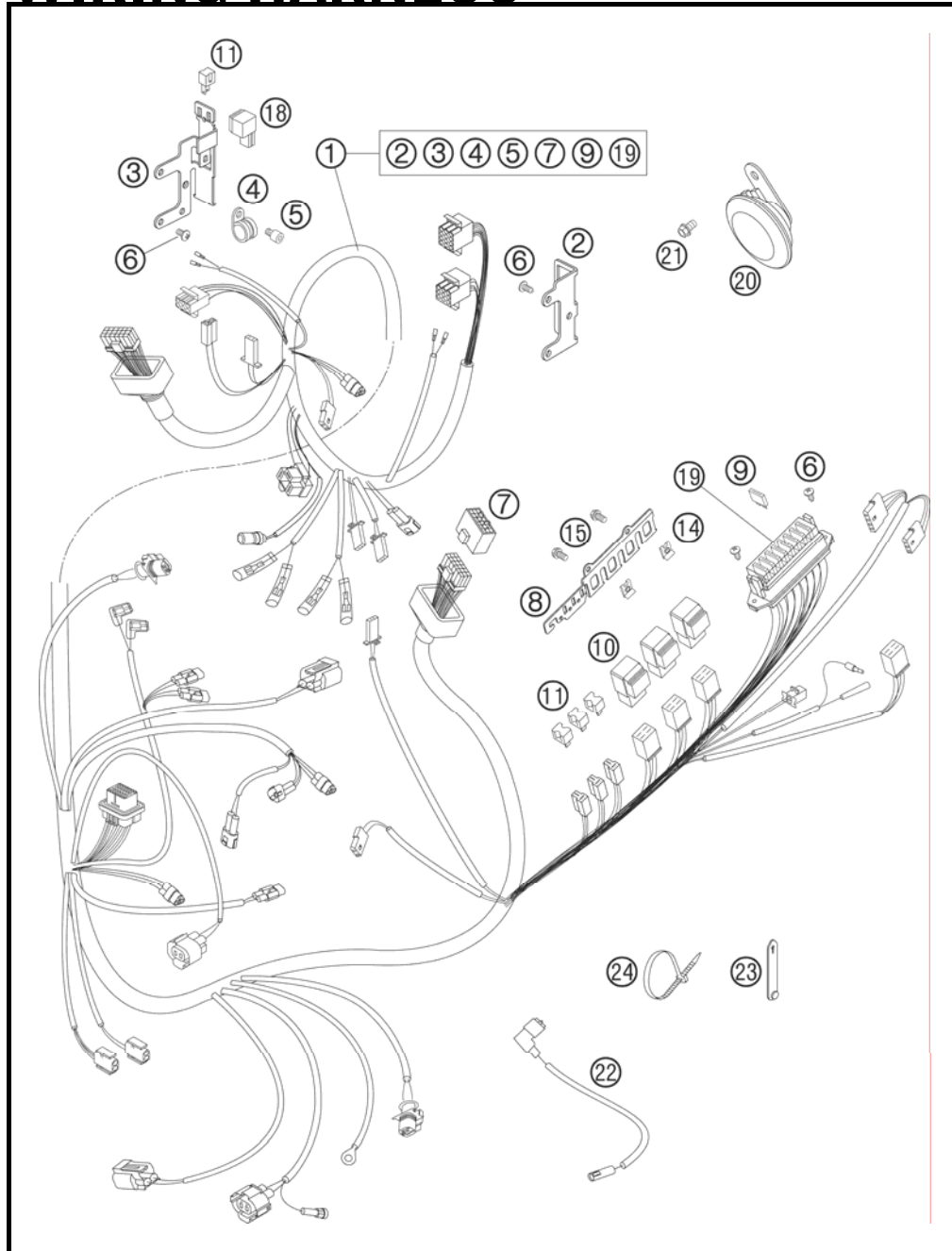


FIG	PART NUMBER	DESCRIPTION	QTY
1	62511075000	MAIN WIRING HARNESS	05
2	58611083000	SUPPORT BRACKET L/S	05
3	58611183000	SUPPORT BRACKET R/S	05
4	49007439000	CLAMP RSGU 15/12	1
5	0912050103	AH SCREW DIN0912-M 5X10	1
6	0016050121	SCREW FOR PLASTIC D=5X12	8
7	61011075020	DUMMY PLUG ALARM SYSTEM	05
8	62511057050	BRACKET RELAY	05
9	58011109110	FUSE 10 A	2000
9	58011109115	FUSE 15 A	2003
10	58411057000	STARTER RELAY '96	3
11	58411096100	DIODE S3H-15	97
14	54603048200	RANGE CHANGE METAL NUT M5	2
15	0015050123	HH COLLAR SCREW M 5X12 WS=8	2
18	44611207200	FLASHER UNIT	97
19	58511075510	FUSE-BOX COVER	1
20	62511060000	DC HORN	05
21	0014060103	HH COLLAR SCREW M 6X10 WS=8	1
22	60011092000	OIL-PRESSURE SWITCH CABLE	03
23	60011093045	RUBBER CABLE TIE 45MM	03
23	60011093075	RUBBER CABLE TIE 75MM	03
24	44011076100	CABLE TIE 100/2,5MM BLACK	X
24	44011076200	CABLE TIE 200/3,6MM BLACK	X

056251100 / C056251100

* NEW PART

X AS REQUIRED



BATTERY

950 SUPERMOTO ORANGE EU 2005

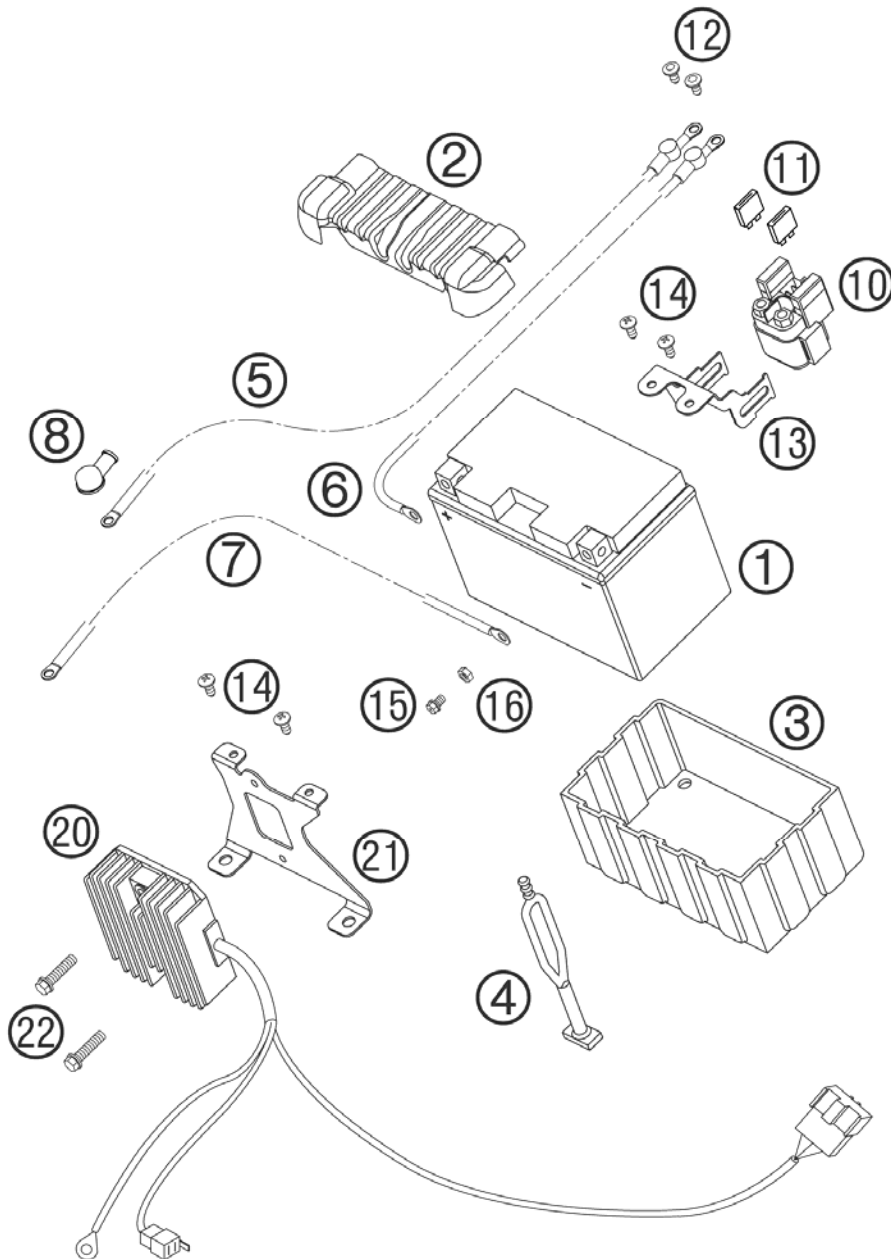


FIG	PART NUMBER	DESCRIPTION	QTY
1	60011053000	BATTERY 12V/11AH	03
3	58411053050	BATTERY COVER	96
4	50303018000	RUBBER L=145MM	1
5	62511059000	STARTER CABLE L=650MM	05
6	62511059050	BATTERY CABLE L=125MM	05
7	62511097000	GROUND CABLE L=650MM	05
8	60040009000	RUBBER CAP STARTER PORT	03
10	58211058000	STARTER RELAY 12V '99	1
11	58011109130	FUSE 30 A	x
12	0902060083	AH OVAL SCREW ISO 7380 M 6X8	2
13	62511058050	BRACKET START RELAY	05
14	0016050121	SCREW FOR PLASTIC D=5X12	4
15	0014060103	HH COLLAR SCREW M 6X10 WS=8	2
16	0934060003	HEXAGON NUT DIN0934-M 6	2
20	62511034000	VOLTAGE REGULATOR	05
21	62511037000	BRACKET VOLTAGE REGULATOR	05
22	0014060253	HH COLLAR SCREW M 6X25 WS=8	2

056251101 / C056251101

* NEW PART

X AS REQUIRED

HAND BRAKE CYLINDER

950 SUPERMOTO ORANGE EU 2005

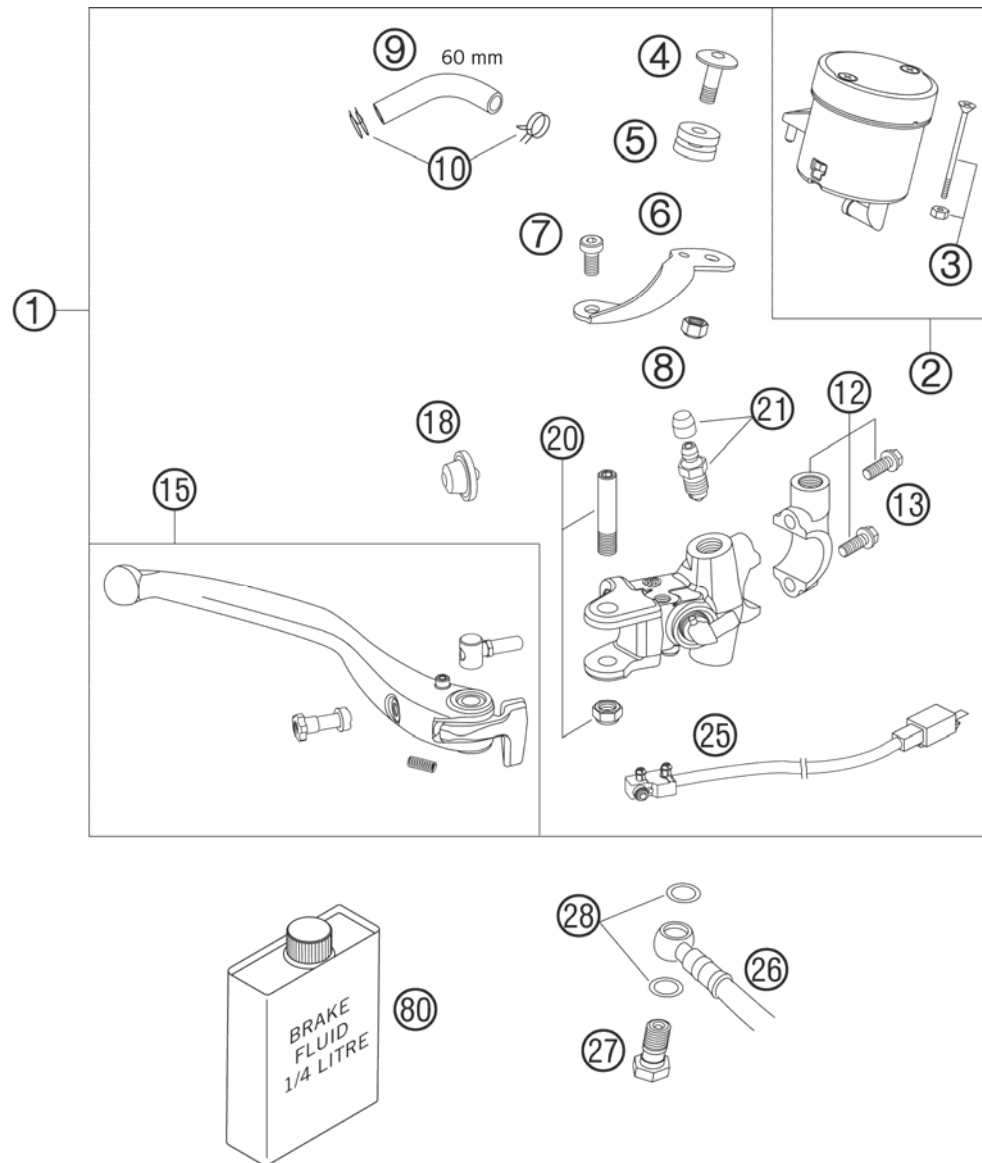


FIG	PART NUMBER	DESCRIPTION	QTY
1	62513001000	HAND BRAKE CYLINDER 05	1
2	61013009002	BRAKE FLUID RESERVOIR CPL.	1
3	61013009003	SCREW + NUT FOR RESERVOIR	2
4	61013013050	SCREW RET.PANEL-RESERVOIR	1
5	61013013000	RUBBER BUSH 05	1
6	61013009001	RET.PANEL FLUID RES. FRONT 05	1
7	61013021000	SCREW RET.PANEL-BRAKE CYLINDER	1
8	61013009004	NUT FOR RESERVOIR	1
9	58007016101	HOSE FOR RESERVOIR 6X1,5	1
10	58007017000	YDNAC CLAMP 10101 (9MM)	2
12	61013005000	CLAMP CPL. 05	1
13	0015060253	HH COLLAR SCREW M 6X25 WS=8	2
15	62513002044	HAND BRAKE LEVER CPL. 05	1
18	61013008000	RUBBER CUP 05	1
20	61013006000	LEVER SCREW CPL. 05	1
21	60013020000	BLEEDER SCREW WITH CAP	1
25	61011050000	BRAKE LIGHT SWITCH FRONT 05	1
26	62513012000	BRAKE PIPE FRONT CPL. 05	1
27	50213025000	HOLLOW SCREW M10X1X19	1
28	42013226000	CU-SEAL RING DIN7603-10X16X1	2
80	306054	* BRAKE FLUID DOT 5.1	1

05610130 / C056251300

* NEW PART

X AS REQUIRED

REAR BRAKE CONTROL

950 SUPERMOTO ORANGE EU 2005

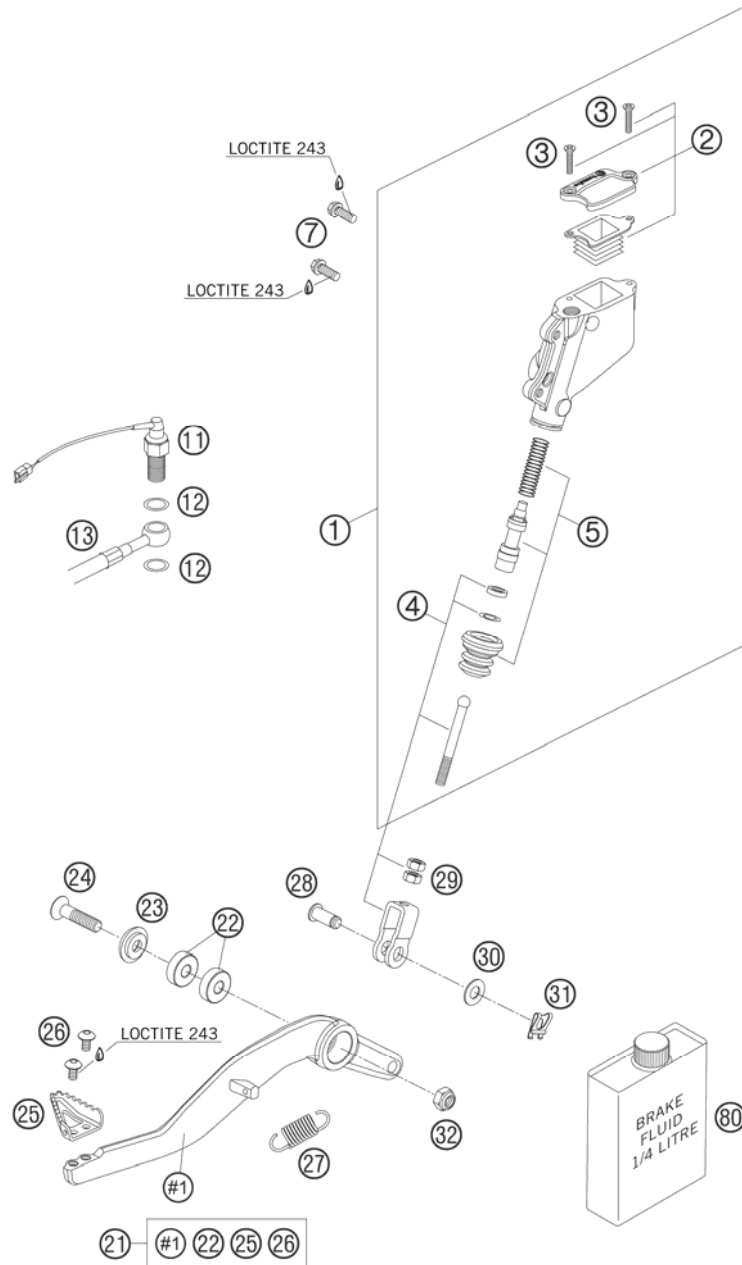


FIG	PART NUMBER	DESCRIPTION	QTY
1	6001306000	MAIN BRAKE CYLINDER CPL. 03	1
2	60013059000	COVER MAIN BRAKE CYLINDER CPL.	1
3	0965040161	FLAT HEAD SCREW DIN0965-M 4X16	2
4	60013056044	PUSH ROD CPL. '03	1
5	60013061000	REPAIR KIT PISTON 03	1
7	59009062016	SPECIAL SCREW M6X16 WS=8 10.9	2
11	50311051100	BRAKE LIGHT SWITCH REAR '98	1
12	42013226000	CU-SEAL RING DIN7603-10X16X1	2
13	62513072000	BRAKE HOSE REAR 05	1
21	62513050044	FOOT BRAKE LEVER CPL. 05	1
22	0625006087	GROOVED BALL BEAR. 608 2RS C3	2
23	60003061000	SPECIAL WASHER ALU 8X24MM 03	1
24	0991080353	FLAT HEAD SCREW DIN7991-M 8X35	1
25	54813051100	STEP PLATE FOR BRAKE LEVER	1
26	58605083010	SCREW TORX M5X10 05	2
27	54603062000	RETURN SPRING FOR BRAKE LEVER	1
28	60013057000	BOLT F. LINK FORK 8X20X16,5	1
29	0934060003	HEXAGON NUT DIN0934-M 6	2
30	0125080003	WASHER DIN0125-A 8,4	1
31	60013058000	SECURING CLIP D=8MM 03	1
32	0985080003	SELF LOCKING NUT DIN0985-M 8	1
80	306054	* BRAKE FLUID DOT 5.1	1

056251301 / C056251301

* NEW PART

X AS REQUIRED

BRAKE CALIPER FRONT

950 SUPERMOTO ORANGE EU 2005

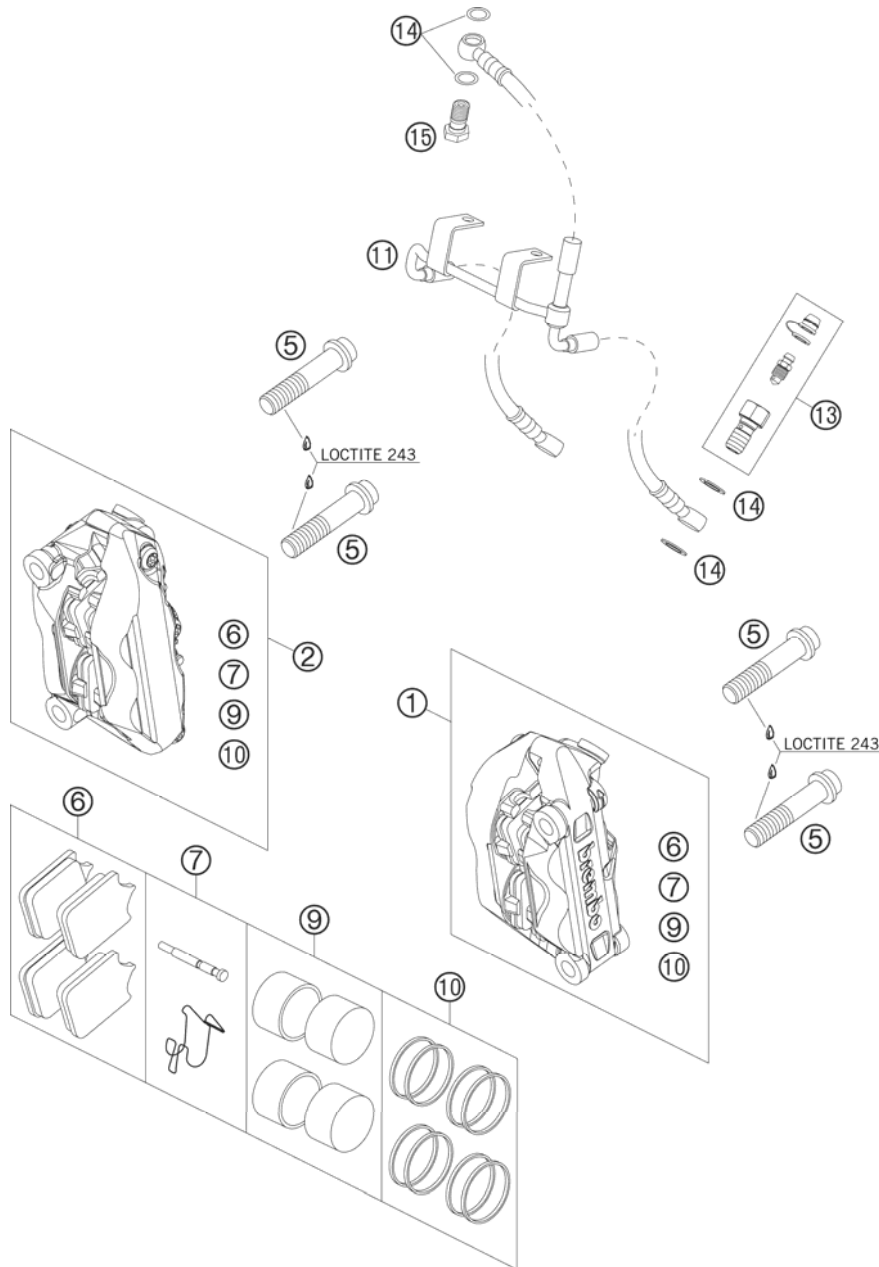


FIG	PART NUMBER	DESCRIPTION	QTY
1	62513015000	BRAKE CALIPER RADIAL L/S 05	1
2	62513016000	BRAKE CALIPER RADIAL R/S 05	1
5	0035100559	AH-COLLAR SCREW M10X1,25X55	4
6	61013030000	BRAKE PAD FR. TOSHIBA TT2172HH	2
7	61013018000	BOLT AND SPRING F. BR.CALIPER	2
9	61013019000	BRAKE PISTONS 4X	2
10	61013019100	REP.KIT SEALING RINGS 4X	2
11	62513012000	BRAKE PIPE FRONT CPL. 05	1
13	62513020000	BLEEDER SCREW CPL. 05	2
14	42013226000	CU-SEAL RING DIN7603-10X16X1	6
15	50213025000	HOLLOW SCREW M10X1X19	1

056251302 / C056251302

* NEW PART

X AS REQUIRED

BRAKE CALIPER REAR

950 SUPERMOTO ORANGE EU 2005

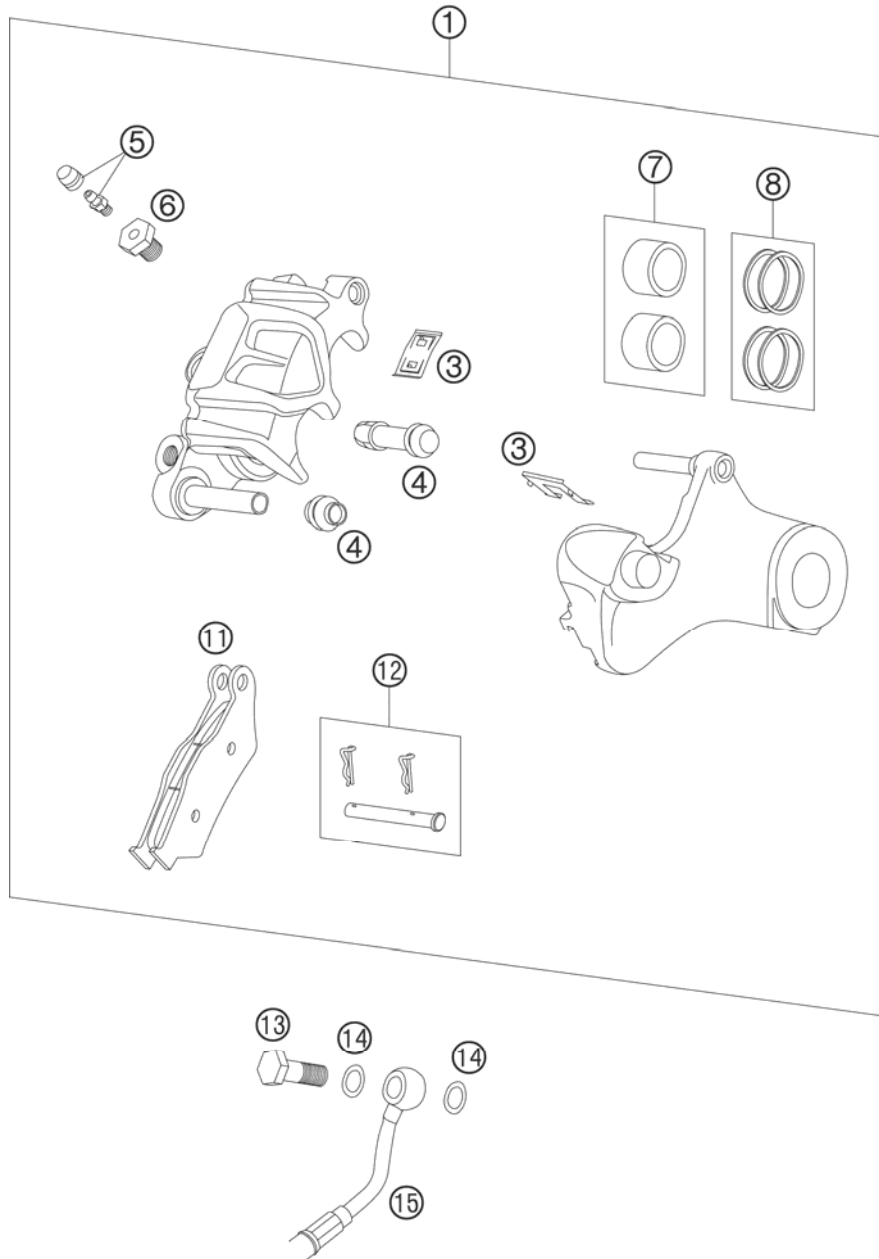


FIG	PART NUMBER	DESCRIPTION	QTY
1	60013080000	BRAKE CALIPER REAR 03	1
3	60013018100	RETAINING PLATE SET REAR 03	1
4	54613218000	CUP SET SHORT	1
5	60013020200	BLEEDER SCREW WITH CAP M6	1
6	60013020100	ADAPTER SCREW	1
7	60013083200	BRAKE PISTONS 05	1
8	60013081000	REP.KIT SEALINING RINGS	1
11	50313030100	BRAKE P.SET FR. TOSHIBA TT2701	1
12	60013017200	BOLT SET	1
13	50213025000	HOLLOW SCREW M10X1X19	1
14	42013226000	CU-SEAL RING DIN7603-10X16X1	2
15	62513072000	BRAKE HOSE REAR 05	1

03600133 / C056251303

* NEW PART

X AS REQUIRED

LIGHTING SYSTEM

950 SUPERMOTO ORANGE EU 2005

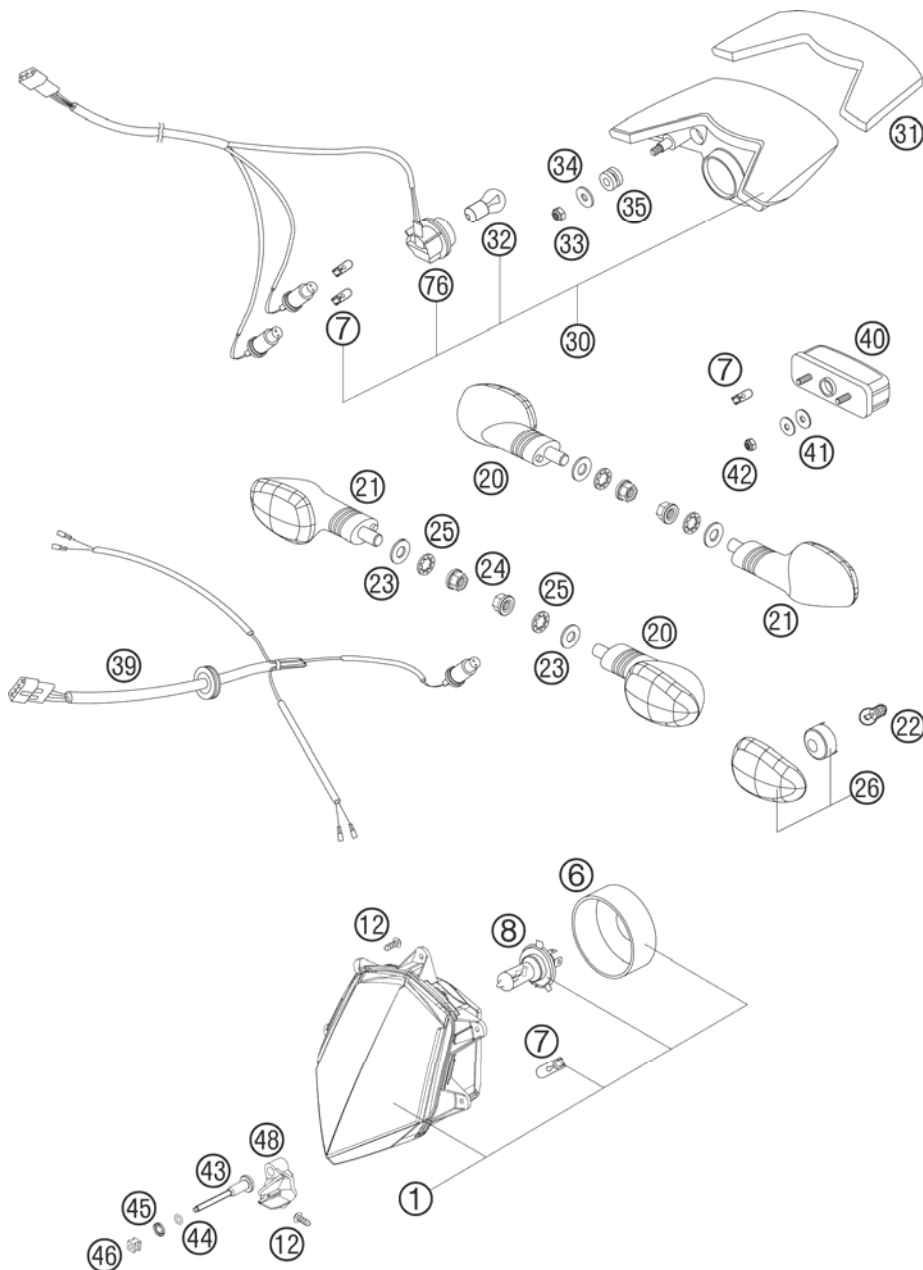


FIG	PART NUMBER	DESCRIPTION	QTY
1	58614001000	HEAD LIGHT RIGHT TR. 05	1
6	58614001050	RUBBER CAP FOR HEAD LIGHT 05	1
7	49011435100	BULB 12V 5W (W2,1X9,5D) PHIL.	4
8	57111038000	BULB H4 12V 60/55W (P43T)	1
12	0016050121	SCREW FOR PLASTIC D=5X12	6
20	58414025100	FLASHER CPL.FRONT L/S REAR R/S	2
21	58414026100	FLASHER CPL.FRONT R/S REAR L/S	2
22	44111015100	BULB 12V 10W (BA15S)	4
23	0125100003	WASHER DIN0125-A10,5	4
24	58414030000	HH COLLAR NUT M10X1,25 WS=13	4
25	0797100003	LOCK WASHER DIN6797-J10,5 ZI	4
26	58414028100	FLASHER LENS L/S & R/S 02	4
30	58614040044	REAR LIGHT CPL. 05	1
31	58614040050	METAMOLL FOR HEAD LIGHT 05	1
32	60014048000	BULB 12V 21W	1
33	0985060003	SELF LOCK. NUT DIN0985-M 6	2
34	0021060003	WASHER DIN9021-A 6,4	2
35	58214069051	RUBBER GROMMET 16X10,8X3 02	4
39	62511076000	WIRING HARNESS REAR 05	1
40	58414047000	LICENSE-PLATE ILLUMINATION '98	1
41	0021050003	WASHER DIN9021-A 5,3	4
42	0985050003	SELF LOCKING NUT DIN0985-M 5	2
43	58614021000	ADJ. SCREW HEAD LIGHT 05	1
44	0770080020	O-RING 8X2 SILICONE	1
45	58614024000	CLAMP RING F. HEAD LIGHT ADJ.	1
46	58614018000	ADJUSTING NUT F. HEAD L. ADJ.05	1
48	58614063050	TAB HEAD LIGHT ADJ. 05	1
76	58611076100	CABLE HARNESS REAR PART 05	1

056251400 / C056251400

* NEW PART

X AS REQUIRED

SPEEDOMETER

950 SUPERMOTO ORANGE EU 2005

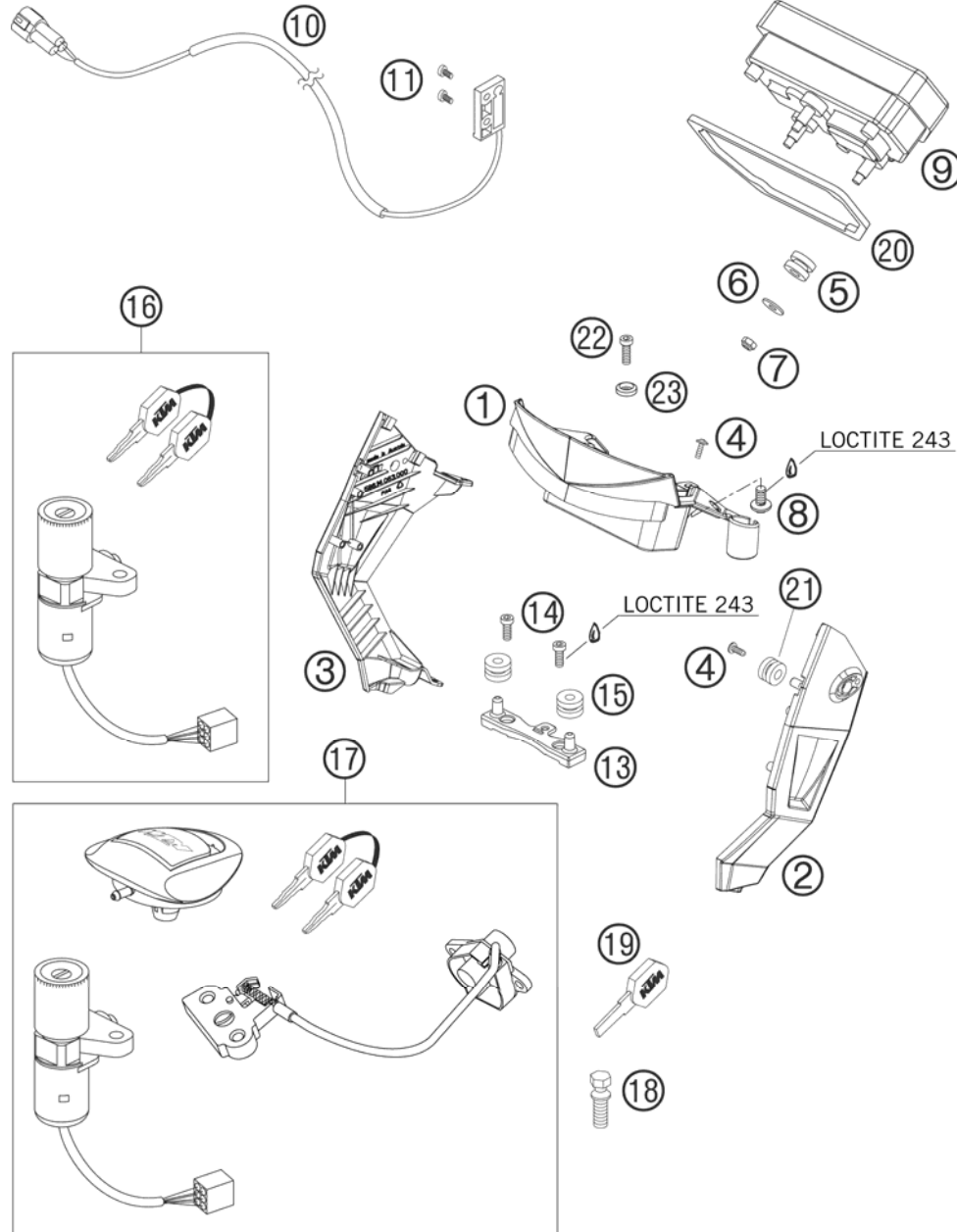


FIG	PART NUMBER	DESCRIPTION	QTY
1	58614061000	SPEEDOMETER BRACKET MIDDLE 05	1
2	58614062000	SPEEDOMETER BRACKET L/S 05	1
3	58614063000	SPEEDOMETER BRACKET R/S 05	1
4	0016050121	SCREW FOR PLASTIC D=5X12	6
5	58214069051	RUBBER GROMMET 16X10,8X3 02	3
6	0021050003	WASHER DIN9021-A 5,3	3
7	0985050003	SELF LOCKING NUT DIN0985-M 5	3
8	0014060103	HH COLLAR SCREW M 6X10 WS=8	2
9	61014069000	DIGITAL SPEEDOMETER 05	1
10	62514068000	SPEEDOMETER SENSOR 05	1
11	0084040083	CYL.HEAD SCREW DIN0084-M 4X8 A	2
13	62514064000	MASK SUPPORT BOTTOM 05	1
14	0984060163	AH SCREW DIN6912-M 6X16	2
15	60039030000	VIBRATION DAMPER DIGITALBOX 03	2
16	58411066100	IGNITION LOCK LC4 USA,AUS '99	1
17	62511066044	LOCK SYSTEM 05	1
18	60011064000	TAMPERPROOF SCREW F. IGN. LOCK	1
19	40011166100	KEY BLANK LC4/DUKE/LC8	1
20	60014068000	DAMPING RING TACHOMETER 03	1
21	31008060000	RUBBER SLEEVE D=8MM OPEN	2
22	0984060252	AH SCREW DIN6912 M6X25	2
23	60008045000	SPECIAL WASHER D=16,5MM 03	2

056251402 / C056251402

* NEW PART

X AS REQUIRED

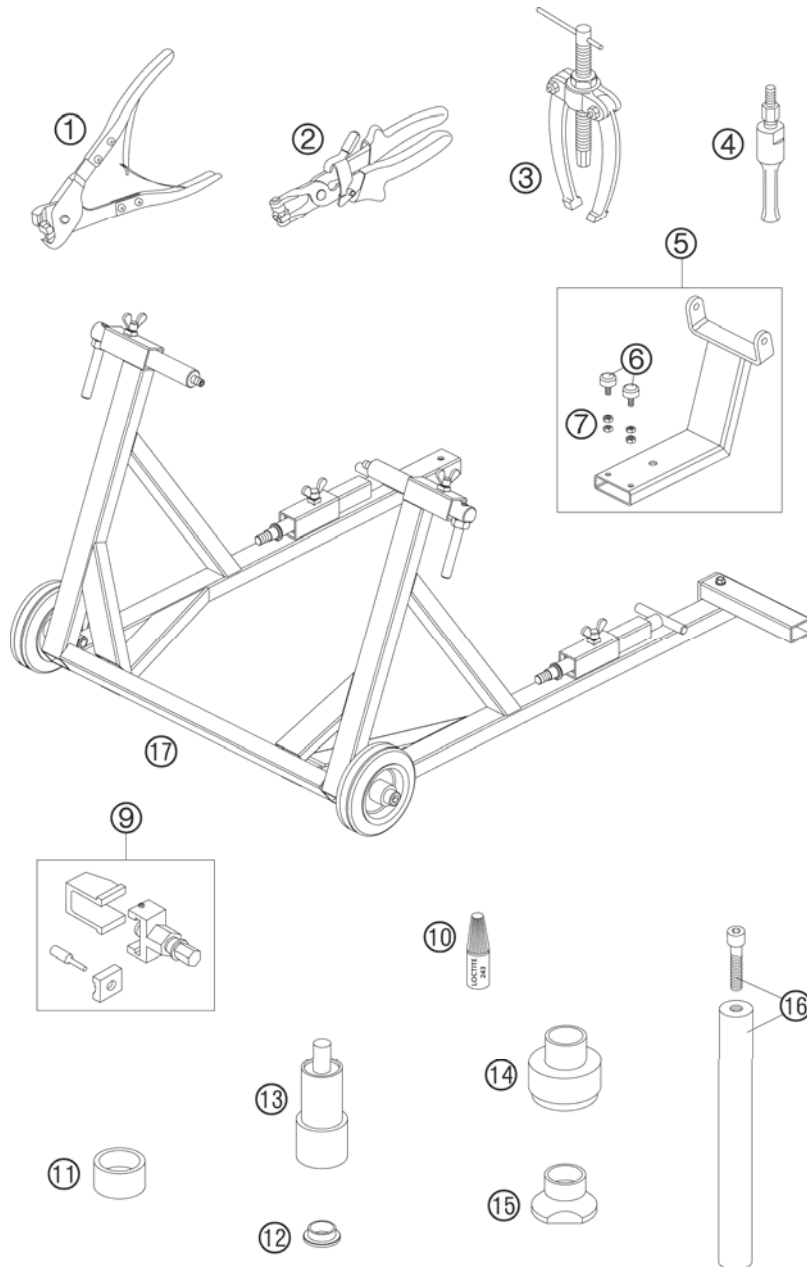


FIG	PART NUMBER	DESCRIPTION	QTY
1	60029057000	PLIERS F. VAR.ONE-EAR CLAMP 03	1
2	60029057100	PLIERS F. CLAMP 03	1
3	15112017000	BUSHING EXTRACTOR	1
4	60029018000	INTERN.BEAR.PULLER 28 MM	1
5	60029055100	ATTACHMENT WHEELED JACK 03	1
6	58303070000	STOP RUBBER M8	2
7	09340800003	HEXAGON NUT DIN0934-M 8	4
9	60029020000	RIVET TOOL 03	1
10	6899785	LOCTITE 243 BLUE 6CCM	1
11	60029056000	ANVIL DOLLY 03	1
12	60010013000	SPACER BUSH. REAR WHEEL R/S 03 FOR SWINGARM BEARING	1
13	58429086000	PRESS. TOOL F. LINK BEAR. LC4	1
14	58429091000	MOUNT.TOOL STEER.HEAD BEAR.LC4	1
15	58429092000	DISMOUNT. TOOL F. BEARINGS LC4	1
16	58429089000	HOLDING TOOL CHASSIS LC4	1
17	62529055000	VEHICLE STAND 05	1

056251900 / C056251900

* NEW PART

X AS REQUIRED

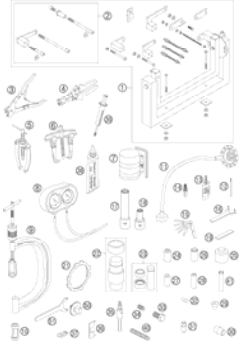
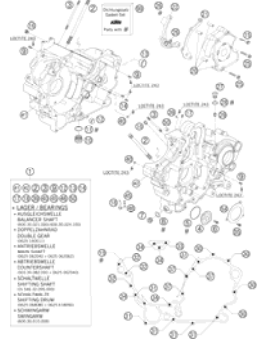
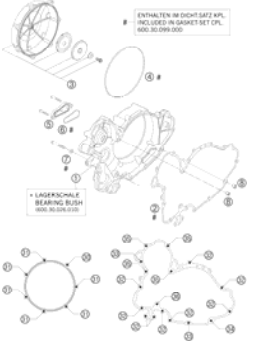
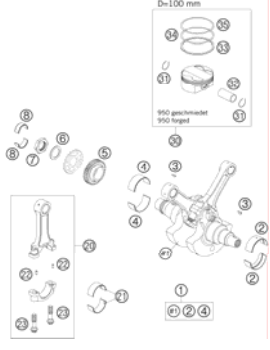
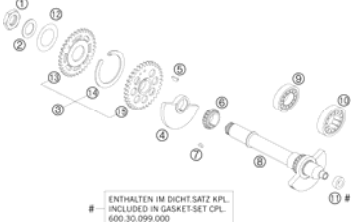
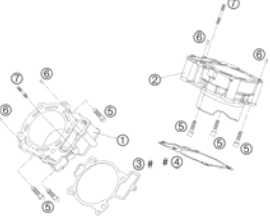

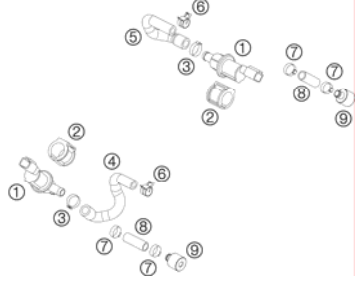
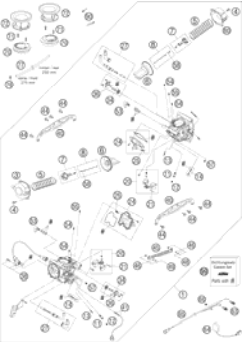
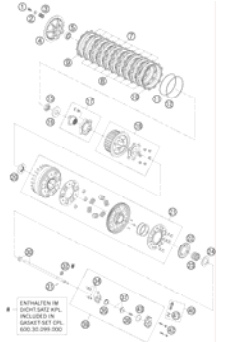


950 SUPERMOTO 2005


SPARE PARTS MANUAL: ENGINE

ART.NO.: 3CM089810EN

ENGLISH



SPECIAL TOOLS ENGINE  4	ENGINE CASE 950 SM  6	CLUTCH COVER 950 SM  8	CRANKSHAFT, PISTON  9
BALANCER SHAFT  10	CYLINDER  11	SECONDARY AIR SYSTEM  12	ELECTRONIC POWER CONTROL  13
CARBURETOR KEIHIN CVRD 43  14	CLUTCH  16	TRANSMISSION I-MAIN SHAFT  17	TRANSMISSION II-COUNTERSHAFT  18

		<p>All information contained is without obligation. KTM-Sportmotorcycle AG particularly reserves the right to modify any equipment, technical specifications, prices, colors, shapes, materials, services, service work, constructions, equipment and the like so as to adapt them to local conditions or to cancel any of the above items, all without previous announcement and without giving reasons. KTM may stop manufacturing certain models without previous notice. KTM shall not be held liable for any deviations of availability and/or ability to deliver, illustrations, descriptions, printing and/or other errors. The illustrated models partly contain extra equipment, which is not applied to standard models. © 2004 by KTM-SPORTMOTORCYCLE AG, Mattighofen AUSTRIA; All rights reserved; Reprint, also in extracts, with written allowance of KTM-SPORTMOTORCYCLE AG, Mattighofen only.</p>	

SPECIAL TOOLS ENGINE

950 SUPERMOTO 2005

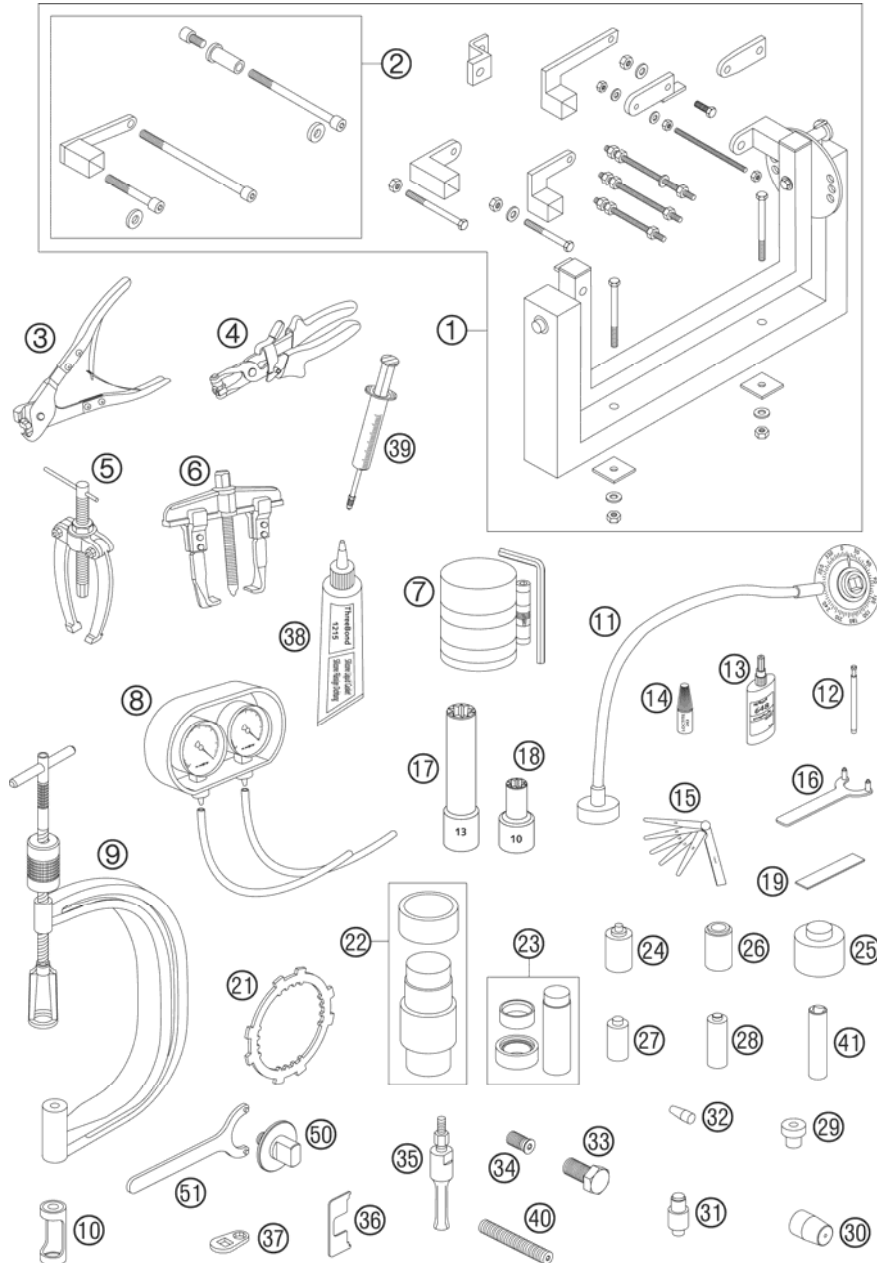


FIG	PART NUMBER	DESCRIPTION	QTY
1	56012001044	UNIVERSAL MOUNTING RACK CPL.	1
2	60029002000	ENGINE BRACKET FOR LC8 03	1
3	60029057000	PLIERS F. VAR.ONE-EAR CLAMP 03	1
4	60029057100	PLIERS F. CLAMP 03	1
5	15112017000	BUSHING EXTRACTOR	1
6	60029033000	EXTRACTOR PRIM. GEAR	1
7	60029015000	PISTON RING COMPRESSOR CPL. 03	1
8	60029011000	SYNCHRONIZER CPL. 2-CYLINDER	1
9	59029019000	VALVE SPRING LEVER	1
10	60029041000	INSERT FOR VALVE SPRING LEVER	1
11	60029010000	DEGREE DISK 360DEG - 1/2 INCH	1
12	59029026006	LIMIT PLUG GAUGE F.VALVE GUIDE	1
13	58429059000	LOCTITE 648 GREEN 24ML	x
14	6899785	LOCTITE 243 BLUE 6CCM	x
15	59029041000	FEEL. GAUGE SET 10,12,15,20,25	1
16	60029082000	HOLDER FOR WATER PUMP WHEEL	1
17	60029083000	SPECIAL SOCKET F. CYLINDER NUT	1
18	60029075000	SPECIAL SOCKET F.CYL.-HEAD NUT	1
19	60029012000	PLASTIGAUGE - MEASURING STRIP	1
21	60029003000	BRACKET FOR CLUTCH	1
22	60029044050	PRESS TOOL FOR MAIN BEARING	1
23	60029046028	PRESS TOOL F. SUPPORT BEARING	1
24	60029043010	SEAL.RING PRESS PUNCH PUSH ROD	1
25	60029043020	SEAL.RING PRESS PUNCH COUNT.SH	1
26	60029043040	SEAL.RING PRESS PUNCH WAT.PUMP	1
27	60029043050	SEAL.RING PRESS PUNCH BA.SHAFT	1
28	60029043060	PRESS PUNCH WAPU-BEARING	1
29	60029031000	PRESSURE PUNCH F. CRANKSHAFT	1
30	60029005000	MOUNT.SLEEVE F. SH. SEAL RING	1
31	60029043030	PRESS PUNCH SEAL.RING/BEARING	1
32	58529005000	MOUNT.SLEEVE F. SH.S.RING WAPU	1
33	60029009000	FLYWHEEL EXTRACTOR	1
34	60029009110	PUSH SCREW F. FLYWH. EXTRACTOR M16X1,5	1
35	60029018000	INTERN.BEAR.PULLER 28 MM	1
36	60029016000	SETTING GAGE F. FLOAT LEVEL	1

05600290 / C056252900

* NEW PART

X AS REQUIRED

SPECIAL TOOLS ENGINE

950 SUPERMOTO 2005

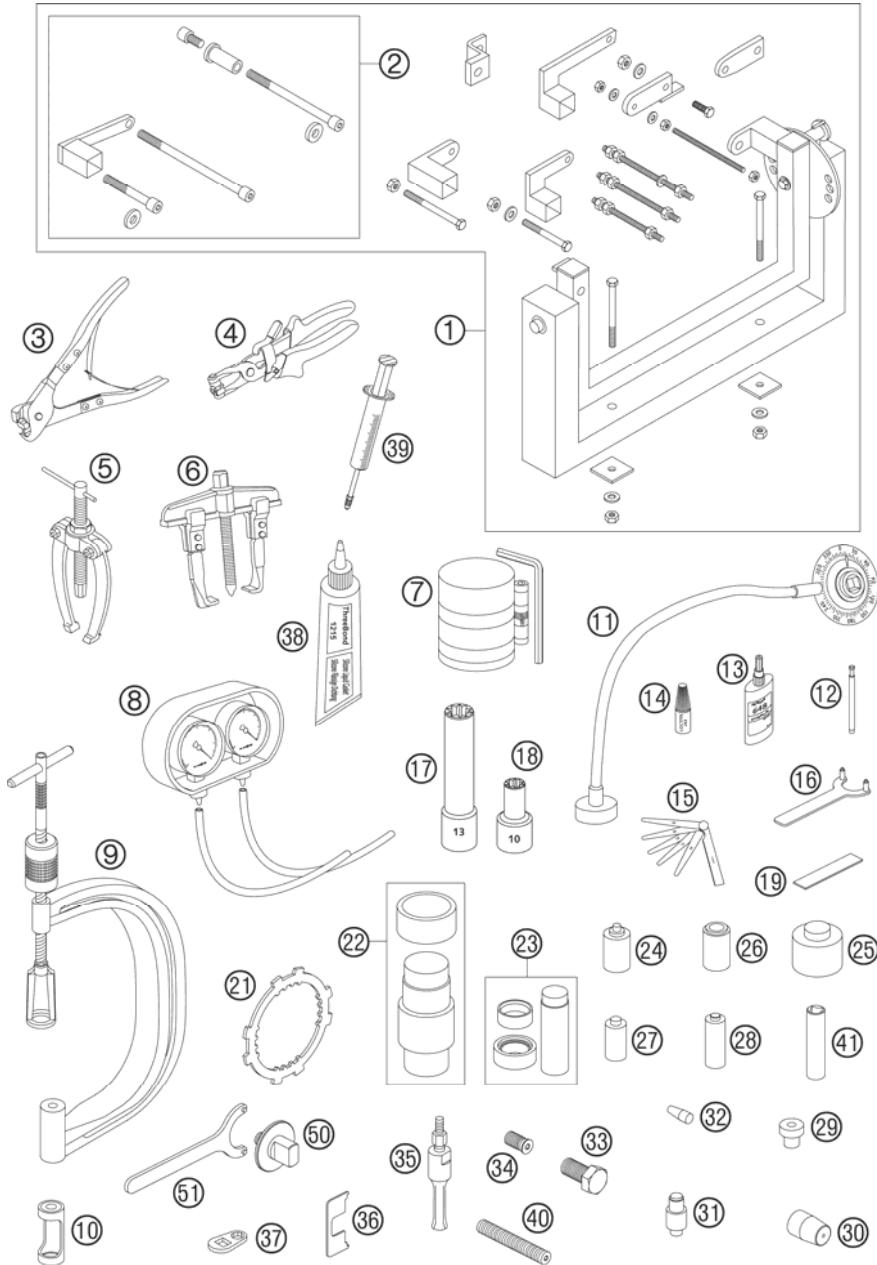


FIG	PART NUMBER	DESCRIPTION	QTY
37	60029081000	WRENCH FOR CYLINDER-HEAD SCREW	1
38	309098	SILICON GASKET THREE-BOND	1
39	50329050000	VENT INJEKTION HYDR. CLUTCH	1
40	0113080802	ENGINE BLOCKING SCREW	1
41	60029073000	SPARK PLUG WRENCH 16MM 1/2INCH	1
50	60029050000	BOTTOM PART PRETENSIONING TOOL	1
51	60029051000	HOOK WRENCH PRETENS.TOOL CPL.	1

05600290 / C056252900

* NEW PART

X AS REQUIRED

ENGINE CASE 950 SM

950 SUPERMOTO 2005

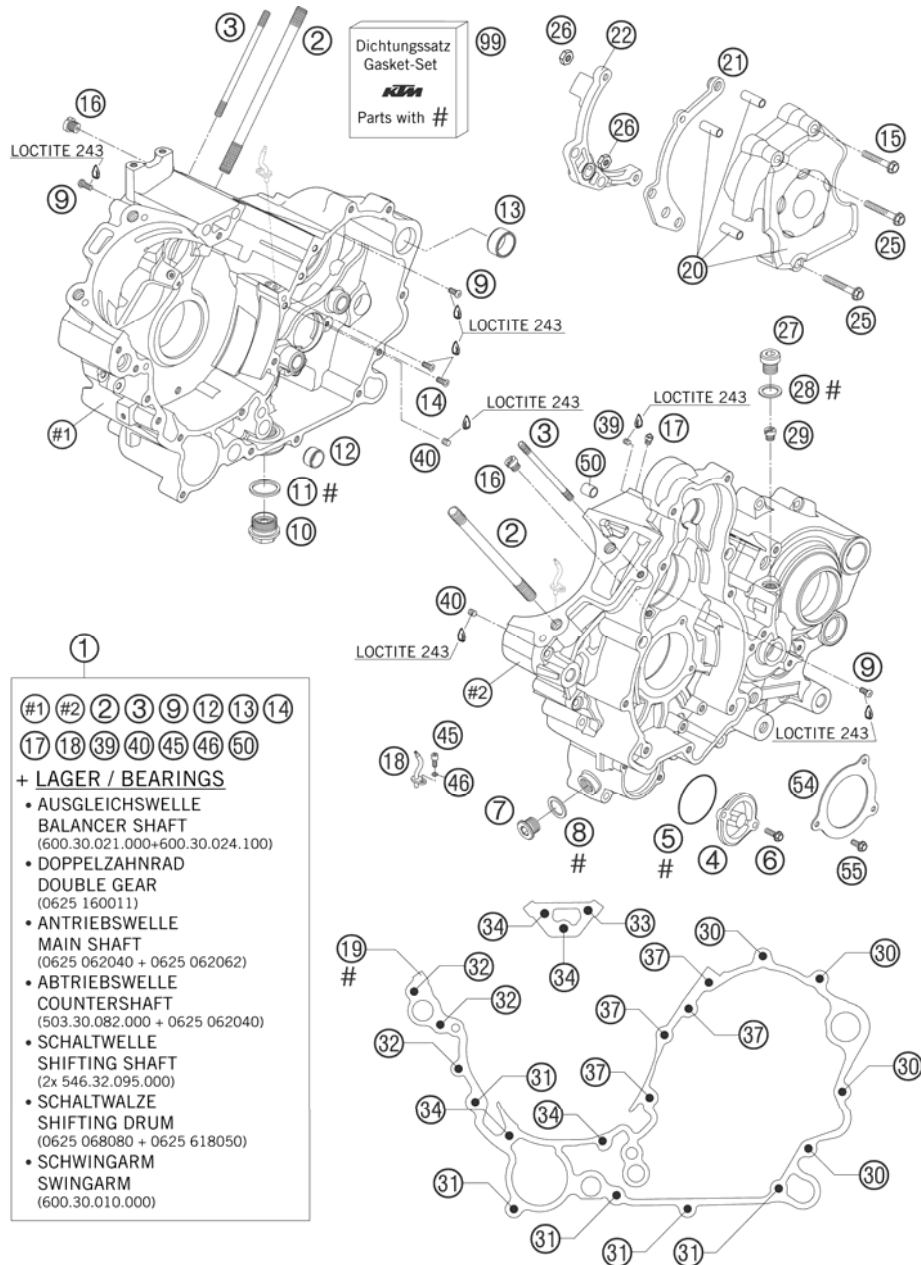


FIG	PART NUMBER	DESCRIPTION	QTY
1	60030000144	ENGINE CASE CPL. W.BEARINGS 05	1
2	60030043000	STUD M 10X161 10.9 03	8
3	60030043010	STUD M 6X101 10.9 03	2
4	59038041000	OIL FILTER COVER RACING	1
5	0770400025	O-RING 40,00X2,50 NBR 70	1
6	0015050163	HH COLLAR SCREW M 5X16 WS=8	2
7	60038033050	PLUG SCREW M14X1,5 ALU AH	1
8	0603142016	CU-SEAL RING 14X20X1,5 LC8 02	1
9	0018050103	INT. TORX OVAL HEAD M 5X10 8.8	3
10	58038019050	DRAIN PLUG W. MAGNET	1
11	58038017100	CU-SEAL RING DIN7603-22X27X2	1
12	58330023000	DOWEL 17 X 14 X 9,5	1
13	60030023000	DOWEL 20,1X24X12 03	1
14	0019050103	INT. TORX FLAT HEAD M 5X10 8.8	2
15	0015060303	HH COLLAR SCREW M 6X30 WS=8	1
16	59030054000	JET 60 DELLORTO M6X0,75	2
17	60030063070	OIL JET 70 M5	2
18	60030064000	OIL INJECT.TUBE CURVED "70" 05	2
19	60030039100	ENGINE CASE GASKET 0,5MM 05	1
20	60030060044	CHAIN SPROCKET COVER CPL. 03	1
21	61030047000	CHAIN SECURING GUIDE KPL. 05	1
22	60032063000	ADAPTER F. HYDR. CLUTCH 03	1
25	0015060353	HH COLLAR SCREW M 6X35 WS=8	2
26	0985060003	SELF LOCK. NUT DIN0985-M 6	2
27	49030029000	OIL DRAIN PLUG M10X1,5 AH-WS=6	1
28	0603100141	COPPER GASKET DIN7603-10X14X1	1
29	60038029000	REDUCING JET "30" M6X0,75	1
30	0015060403	HH COLLAR SCREW M 6X40 WS=8	4
31	0015060603	HH COLLAR SCREW M 6X60 WS=8	5
32	0015060653	HH COLLAR SCREW M 6X65 WS=8	3
33	0015060703	HH COLLAR SCREW M 6X70 WS=8	1
34	0015060753	HH COLLAR SCREW M 6X75 WS=8	4
37	0015060903	HH COLLAR SCREW M 6X90 WS=8	4
39	0916050042	THREAD PIN DIN916 M5X4-45H	2
40	0551060050	THREAD PIN DIN0551-M 6X 5	2
45	0912040103	AH.SCREW DIN0912-M 4X10	2

056253000 / C056253000

* NEW PART

X AS REQUIRED

ENGINE CASE 950 SM

950 SUPERMOTO 2005

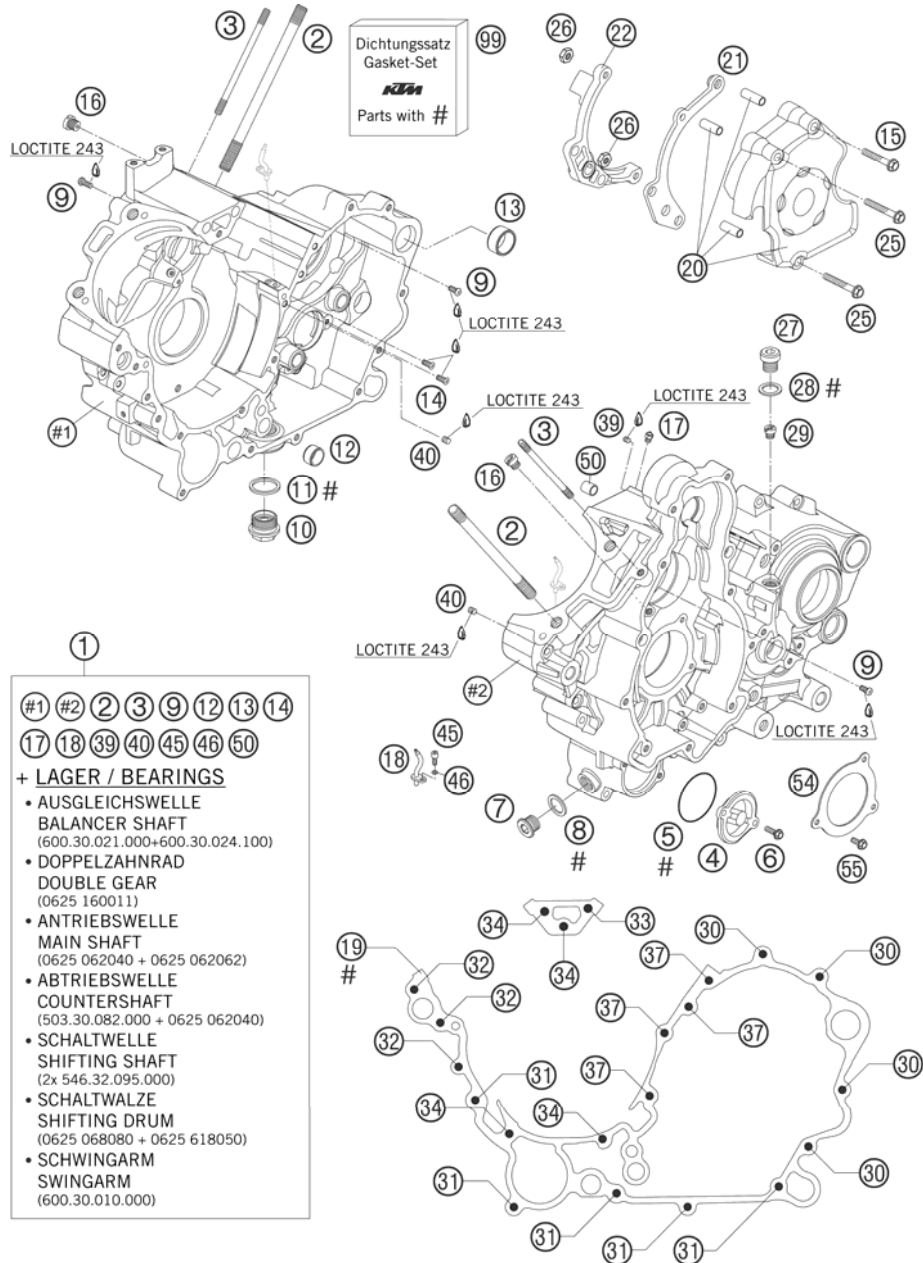


FIG	PART NUMBER	DESCRIPTION	QTY
46	0770035020	O-RING 3,5X2,00 NBR	2
50	49030090000	DOWEL 9,8 X 7 X 10	2
54	60030084000	BRACKET FOR BEARING INSERT 05	2
55	0015050123	HH COLLAR SCREW M 5X12 WS=8	6
99	60030099000	GASKET SET CPL. 03	1

056253000 / C056253000

* NEW PART

X AS REQUIRED

CLUTCH COVER 950 SM

950 SUPERMOTO 2005

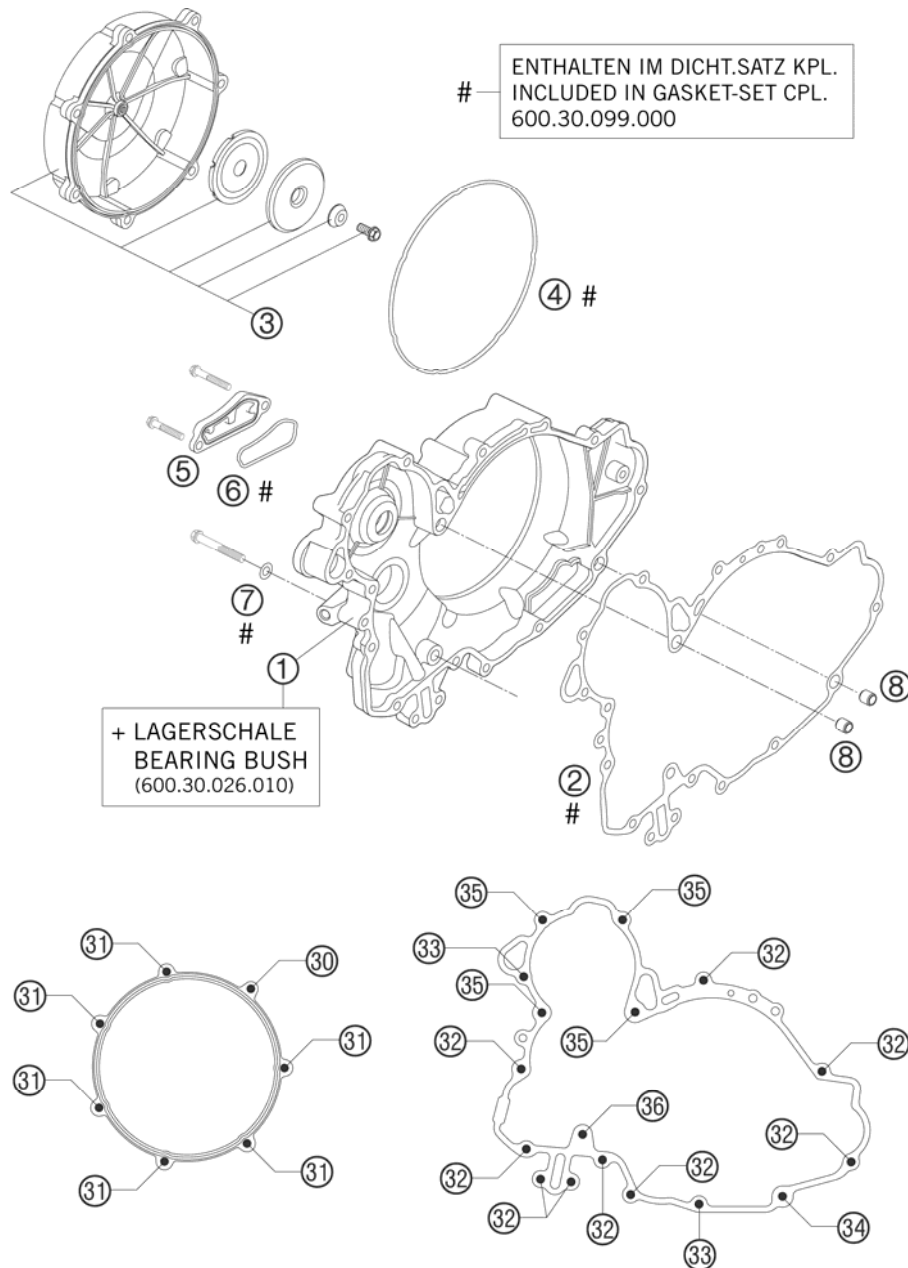


FIG	PART NUMBER	DESCRIPTION	QTY
1	60030001044	CLUTCH COVER LC8 CPL. 03	1
2	60030025000	CLUT.COV. GASK. INSIDE KLI.SIL	1
3	60030126044	OUTER CLUTCH COVER CPL. 05	1
4	60030027000	GASKET RING CLUTCH 2X3,1 VAMAC	1
5	60030012100	CLOS. COVER OIL SCR. MILLED 03	1
6	60030012050	MOLDED RING 1,8X2,5 VAMAC 03	1
7	0603082131	COPPER GASK.DIN7603- 8,2X13X1	1
8	49030090000	DOWEL 9,8 X 7 X 10	2
30	0015060853	HH COLLAR SCREW M 6X85 WS=8	1
31	0015060253	HH COLLAR SCREW M 6X25 WS=8	6
32	0015060303	HH COLLAR SCREW M 6X30 WS=8	9
33	0015060353	HH COLLAR SCREW M 6X35 WS=8	2
34	0015060403	HH COLLAR SCREW M 6X40 WS=8	1
35	0015060603	HH COLLAR SCREW M 6X60 WS=8	4
36	0015080603	HH COLLAR SCREW M 8X60 WS=10	1

05600304 / C056253001

* NEW PART

X AS REQUIRED

CRANKSHAFT, PISTON

950 SUPERMOTO 2005

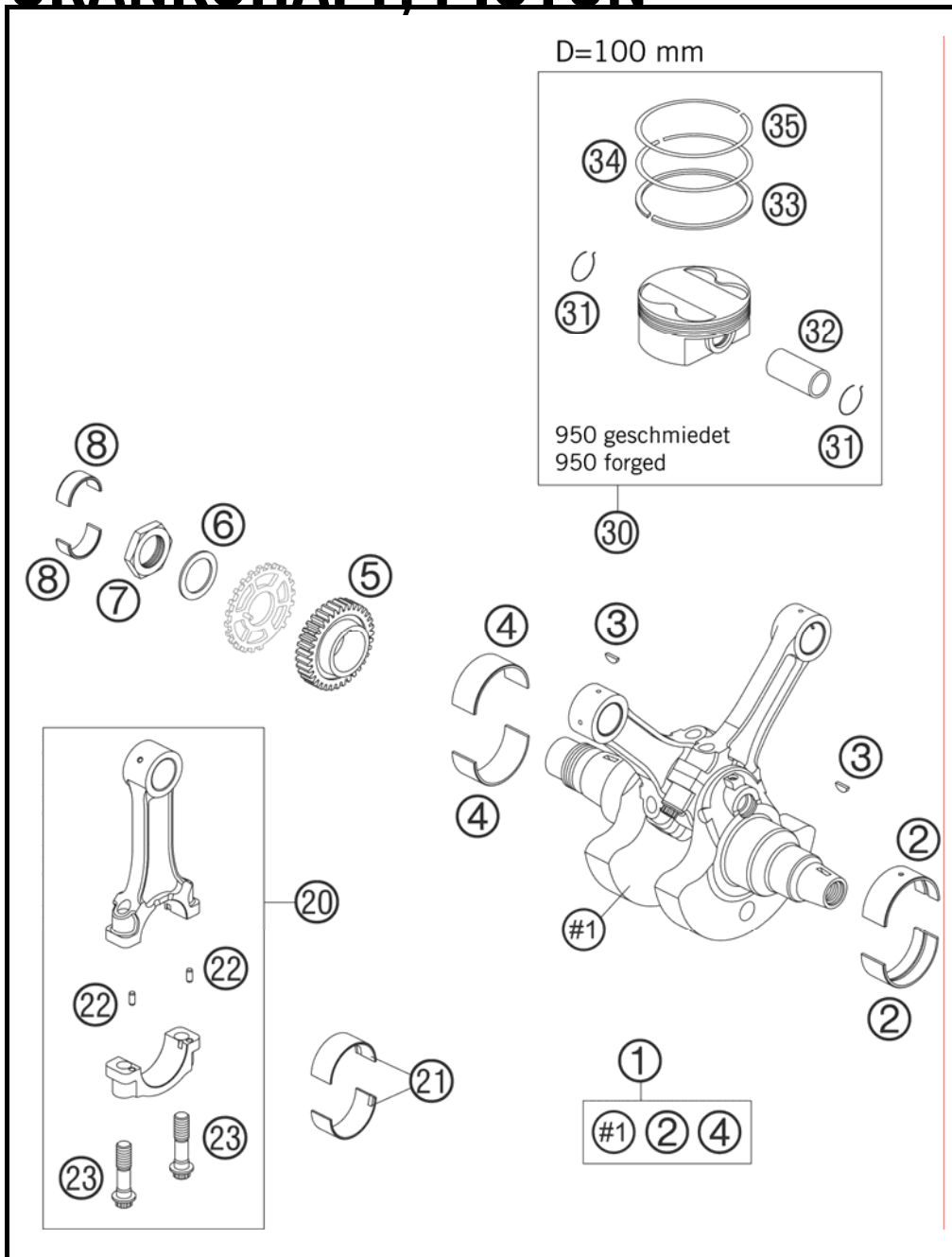


FIG	PART NUMBER	DESCRIPTION	QTY
1	60030018200	CRANKSHAFT CPL. 60STROKE 05	1
2	60030082000 1	SPLIT BEAR.BUSH SIZE 1 RED 03	x
2	60030082000 2	SPLIT BEAR.BUSH SIZE 2 BLUE 03	x
2	60030082000 3	SPLIT BEAR.BUSH SIZE 3 YELL.03	x
3	0888040050	WOODRUFF KEY DIN6888 4X5X13	2
4	60030182000 1	SPLIT BEAR.BUSH SIZE 1 RED 03	x
4	60030182000 2	SPLIT BEAR.BUSH SIZE 2 BLUE 03	x
4	60030182000 3	SPLIT BEAR.BUSH SIZE 3 YELL.03	x
5	60032023035	PRIMARY PINION 35 T 03	1
6	60032009040	WASHER 33,2X46X2 03	1
7	60032009050	HH-NUT M33X1,5 L/S WS46 03	1
8	60030026010	BUSHING BOWL 28X32X13 03	2
20	60030013144	CONNECTING ROD CPL. 04	2
21	60030013051	BUSH.BOWL PACK. SIZE 1 RED 03	x
21	60030013052	BUSH.BOWL PACK. SIZE 2 BLUE 03	x
21	60030013053	BUSH.BOWL PACK. SIZE 3 YELL.03	x
22	60030015061	CYLINDER PIN 03	4
23	60030015160	CONNECTING-ROD BOLT MJ10X1 04	4
30	60030007000 I	PISTON D=100 03	x
30	60030007000 II	PISTON D=100 03	x
31	58430074000	CIRCLIP 22 X 1,6	4
32	58330833000	PISTON PIN 22 X 13 X 60	2
33	60030032000	OIL SCRAPER RING D=100MM 03	2
34	60030031000	PISTON RING MIDDLE D=100MM 03	2
35	60030030000	L-PISTON RING D=100MM 1,3MM	2

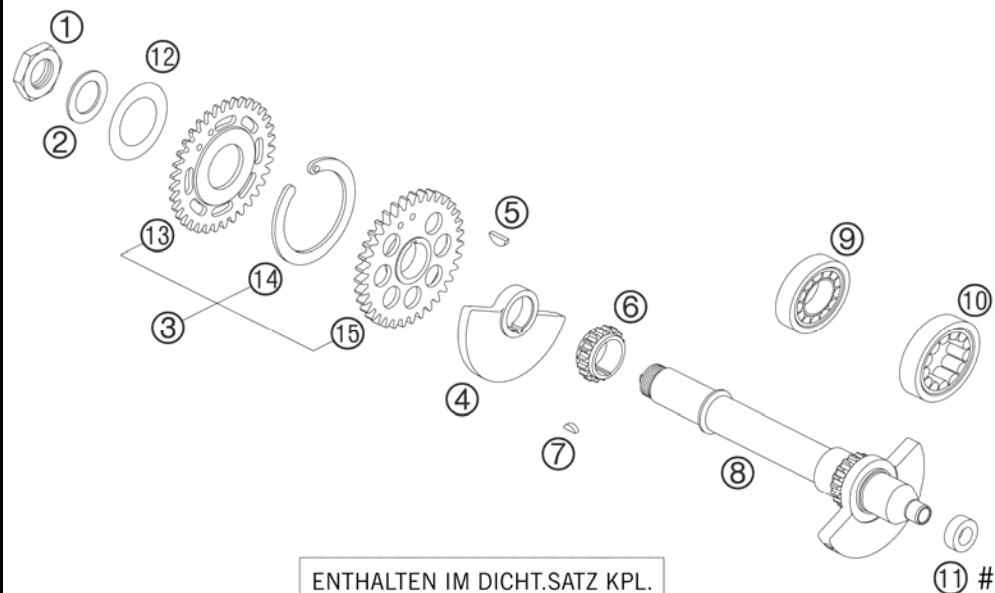
05600301 / C056253002

* NEW PART

X AS REQUIRED

BALANCER SHAFT

950 SUPERMOTO 2005



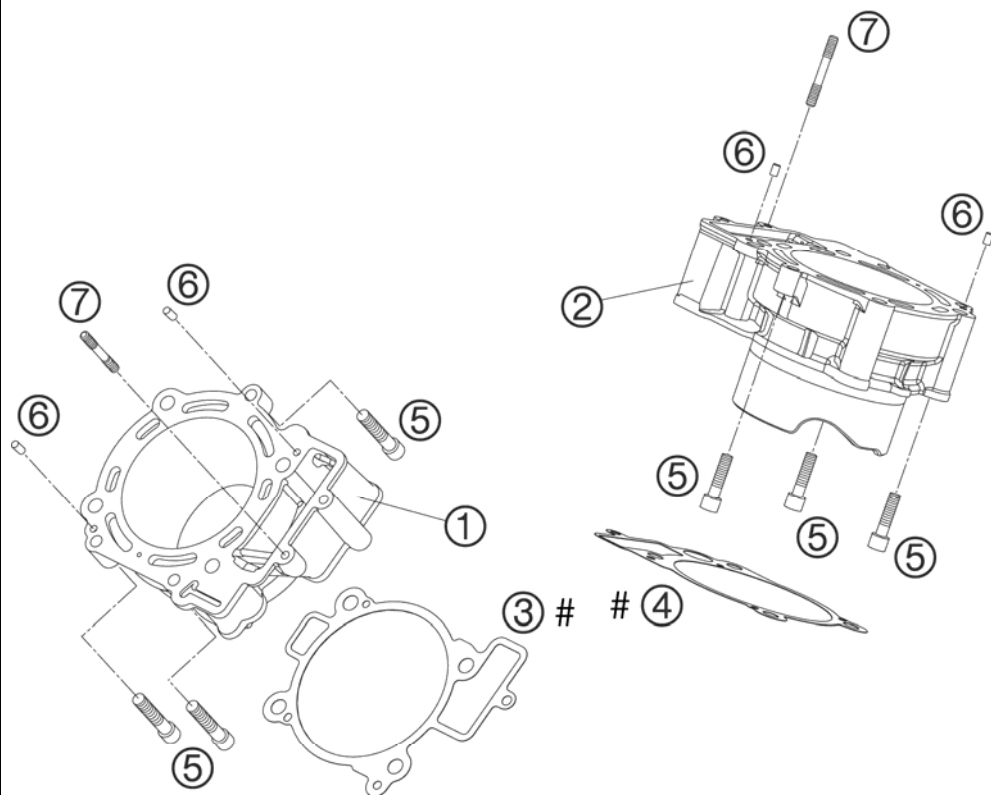
ENTHALTEN IM DICHT.SATZ KPL.
INCLUDED IN GASKET-SET CPL.
600.30.099.000

FIG	PART NUMBER	DESCRIPTION	QTY
1	60036073150	HEXAGON NUT M20X1,5 H=6MM 05	1
2	60033043000	STOP DISK 20,2 X 34 X 1	1
3	60036081000	SPREAD TRANSMISSION 05	1
4	60036074150	BALANCER WEIGHT R/S 05	1
5	0888040050	WOODRUFF KEY DIN6888 4X5X13	1
6	60036014018	TIMING GEAR 18-T 03	1
7	0888030037	WOODRUFF KEY DIN6888-3X3,7	1
8	60036073100	TIMING VALVE JACKSHAFT CPL.	1
9	60030024100	CYL. ROLLER BEAR. NUP 204E	1
10	60030021000	CYL.ROLLER BEARING 26,5X47X14	1
11	0760122050	SHAFT SEAL RING 12X20X5 B	1
12	0093463006	SPRING WASH. 30,5X46,5X0,6-1,5	1
13	60036083035	CLAMPING WHEEL 35-Z 05	1
14	60036081050	TENSION SPRING 05	1
15	60036082035	DRIVE WHEEL 35-T 05	1

056253003 / C056253003

* NEW PART

X AS REQUIRED



— ENTHALTEN IM DICHTUNGSSATZ KPL.
 INCLUDED IN GASKET-SET CPL.
 600.30.099.000

ENTHALTEN IM DICHT.SATZ ZYL.KOPF
 INCLUDED IN GASKET-SET CYL. HEAD
 600.30.097.000

FIG	PART NUMBER	DESCRIPTION	QTY
1	60030005200	CYLINDER FRONT D=100 05	1
2	60030105200	CYLINDER REAR D=100 05	1
3	60030035000	CYLINDER-BASE GASKET FR 0,35MM	1
4	60030135000	CYLINDER-BASE GASKET RR 0,35MM	1
5	0912080353	AH SCREW DIN0912-M 8X35	6
6	0474050100	GROOVED PIN DIN1474 5X10	4
7	60030043020	STUD M6X47 03	2

05600303 / C056253004

* NEW PART

X AS REQUIRED

SECONDARY AIR SYSTEM

950 SUPERMOTO 2005

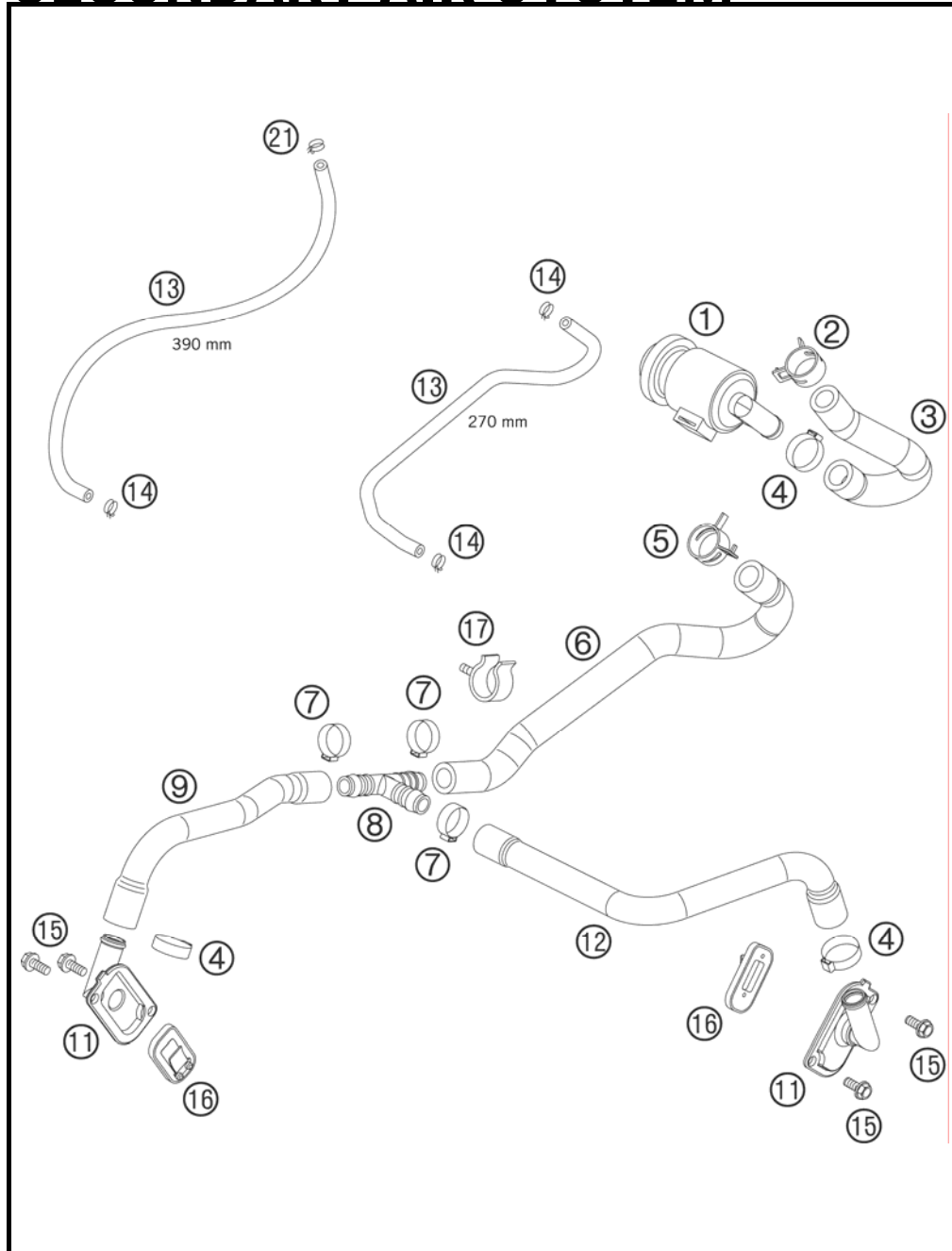


FIG	PART NUMBER	DESCRIPTION	QTY
1	60005024000	CONTROL VALVE SAS	03
2	00049190121	CLAMP STD DN19	
3	60005035024	HOSE FOR SAS	03
4	00050210706	VARIABLE ONE-EAR CLAMP 21,0MM	
5	00049200121	CLAMP STD DN20	
6	60005035021	HOSE FOR SAS REAR	03
7	00050198706	VARIABLE ONE-EAR CLAMP 19,8MM	
8	58431072000	T-CONNECTION 12MM LC4 '98	
9	60005035022	HOSE FOR SAS FRONT	03
11	60005022000	SAS FLANGE	03
12	60005035023	HOSE FOR SAS LEFT	03
13	60031098001	HOSE 3,2X8,5 PER METER	
14	58007017000	YDNAC CLAMP 10101 (9MM)	
15	0015060123	HH COLLAR SCREW M 6X12 WS=8	
16	60005026000	SLS-VALVE	03
17	60005045000	CLAMP FOR SAS HOSE	03
21	45031005000	YDNAC-CLAMP FUEL HOSE (8MM)	

05600312 / C056253100

* NEW PART

X AS REQUIRED



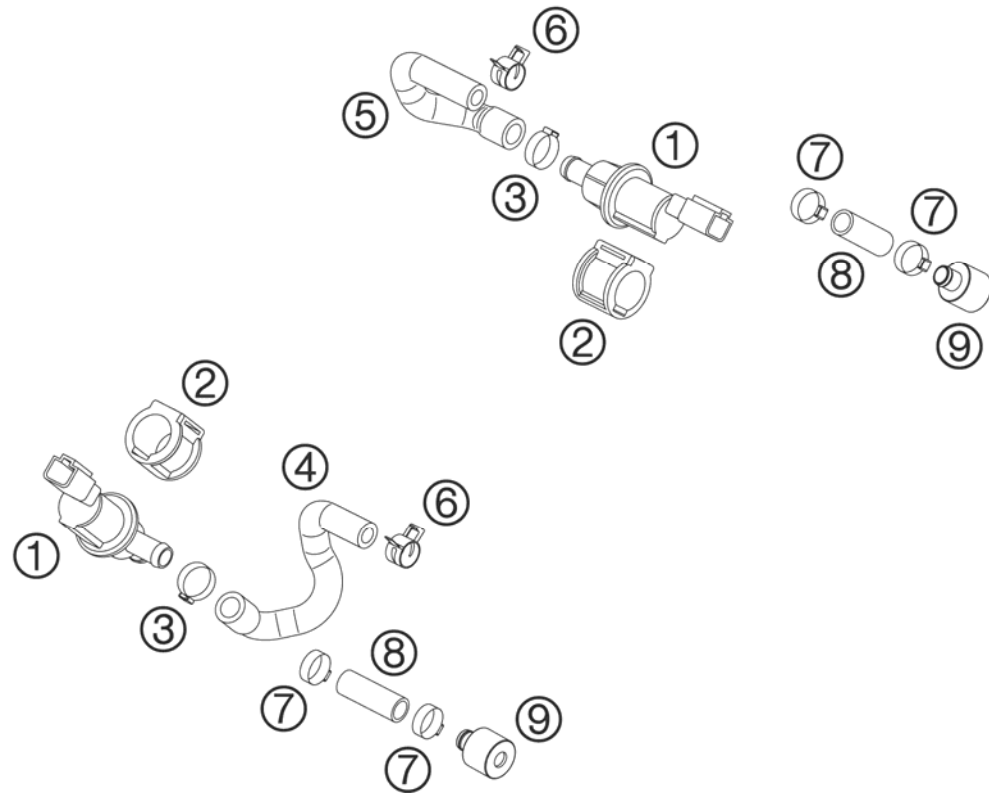


FIG	PART NUMBER	DESCRIPTION	QTY
1	58431067000	MAGNETIC VALVE PIRBURG EPC '98	2
2	60031068000	RUBBER SUPPORT F. MAG.VALVE 03	2
3	00050210706	VARIABLE ONE-EAR CLAMP 21,0MM	2
4	60031071022	HOSE 2 FOR EPC 03	1
5	60031071021	HOSE 1 FOR EPC 03	1
6	00049160121	CLAMP STD DN16	2
7	00050198706	VARIABLE ONE-EAR CLAMP 19,8MM	4
8	60031071023	HOSE 3 FOR EPC 03	2
9	58431070000	AIR FILTER LC4 '98	2

056253102 / C056253102

* NEW PART

X AS REQUIRED

CARBURETOR KEIHIN CVRD 43

950 SUPERMOTO 2005

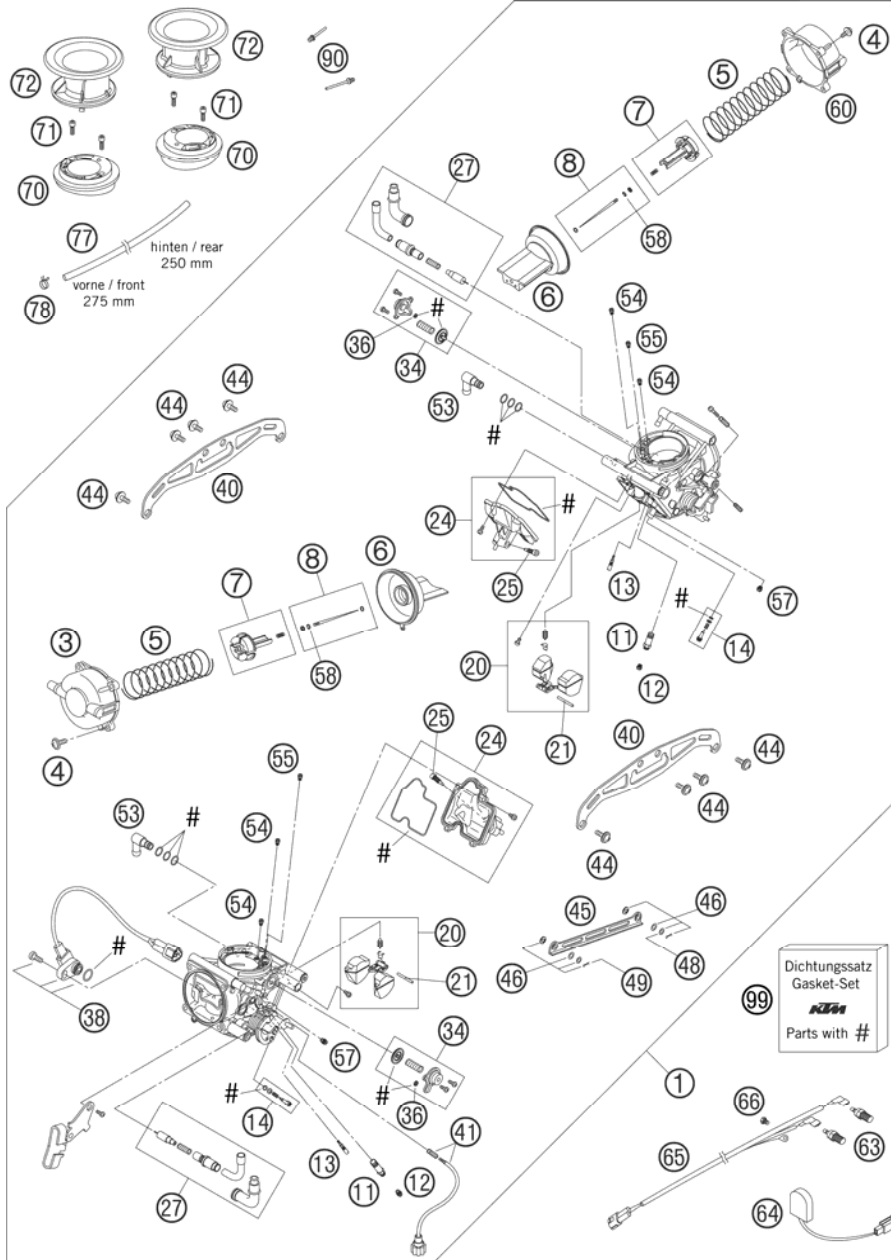


FIG	PART NUMBER	DESCRIPTION	QTY
1	60031001000	CARBURETOR CPL. LC8 CVRD 43 03	1
3	60031027000	DIAPHRAGM COV. KEIHIN FRONT 03	1
4	60031028000	SCREW KEIHIN 03	8
5	60031030000	SPRING KEIHIN LC8	2
6	60031035000	VACUUM PISTON CPL.	2
7	60031032000	JED NEEDLE HOLDER CPL.	2
8	60031034000	JET NEEDLE KEIHIN CPL. NDFB	2
11	60031083000	JET HOLDER	2
12	60031023150	MAIN JET 150 KEIHIN	x
12	60031023155	MAIN JET 155 KEIHIN	1
12	60031023160	MAIN JET 160 KEIHIN	1
12	60031023165	MAIN JET 165 KEIHIN	x
12	60031023170	MAIN JET 170 KEIHIN	x
13	60031007042	IDLE JET 42 KEIHIN	2
14	60031017000	ADJUST SCREW CPL.	2
20	60031009000	FLOAT CPL.	2
21	57331008000	ARM PIN FLOAT	2
24	60031011044	FLOAT CHAMBER CPL.	2
25	57331155000	DRAIN SCREW FLOAT CHAMBER	2
27	60031048000	CHOKE CPL.	2
34	60031090000	AIR CUT VALVE	2
36	59031058000	U-RING	2
38	60031077000	THROTTLE POSITION SENSOR CPL.	1
40	60031091000	CARBURETOR CONNECTING PLATE 03	2
41	60031025000	STOP SCREW CPL.	1
44	60031094000	SCREW KEIHIN 2003	8
45	60031056000	LINK LEVER	1
46	60031087000	LINK LEVER FIXING	2
48	57331087000	WASHER LINK LEVER	2
49	0094010103	SPLIT PIN 1,0X10	2
53	60031013000	HOSE CONNECTOR	2
54	60031037040	AIR JET 40 KEIHIN	2
54	60031037070	AIR JET 70 KEIHIN	x
54	60031037080	AIR JET 80 KEIHIN	2
54	60031037090	AIR JET 90 KEIHIN	x
54	60031037100	AIR JET 100 KEIHIN	x

056253103 / C056253103

* NEW PART

X AS REQUIRED

CARBURETOR KEIHIN CVRD 43

950 SUPERMOTO 2005

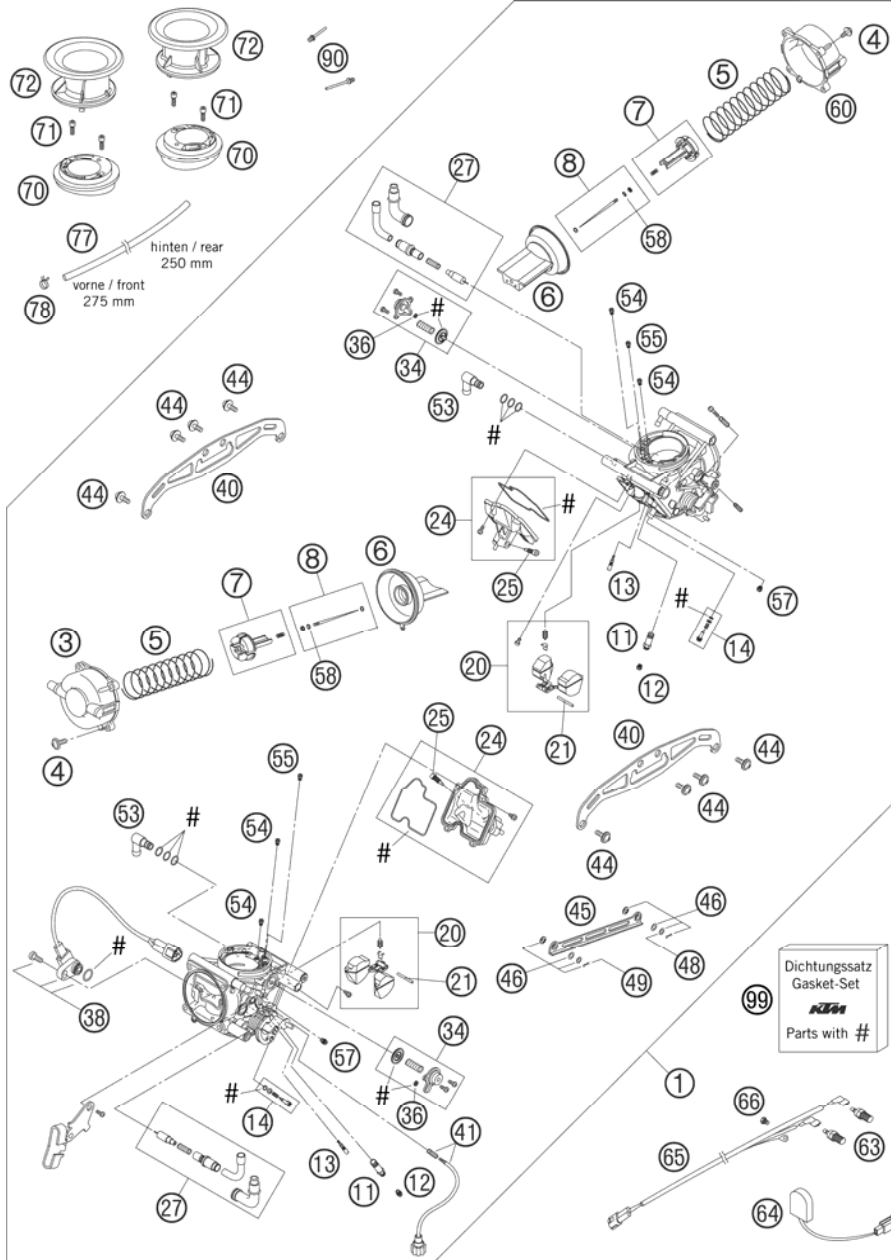


FIG	PART NUMBER	DESCRIPTION	QTY
55	60031047050	AIR JET 50 KEIHIN	2
57	60031051068	STARTER JET 68 KEIHIN	2
58	54531629000	CLIP FOR JET NEEDLE	2
60	60031027100	DIAPHRAGM COV. KEIHIN REAR 03	1
63	60031003000	HEATING ELEMENT CARB. HEAT. 05	2
64	60031004000	TEMPERATURE SENSOR 05	1
65*	62511052000	WIRING HARNESS CARB. HEAT. 05	1
66	0933040063	HH SCREW DIN933 M4X6	1
70	60031041000	CARBURETOR TRUMPET SUPPORT 03	2
71	0912040163	AH SCREW DIN0912-M 4X16	4
72	60031040000	CARBURETOR TRUMPET 03	2
77	60007116001	HOSE 6X12 PER METER BREATHING HOSE	1
78	58031005000	CLAMP YDNAC 10128 12MM	2
90	62531029344	SLIDE STOP LC8 SM 25KW	2
99	60031099000	GASKET SET KEIHIN 03	1

056253103 / C056253103

* NEW PART

X AS REQUIRED

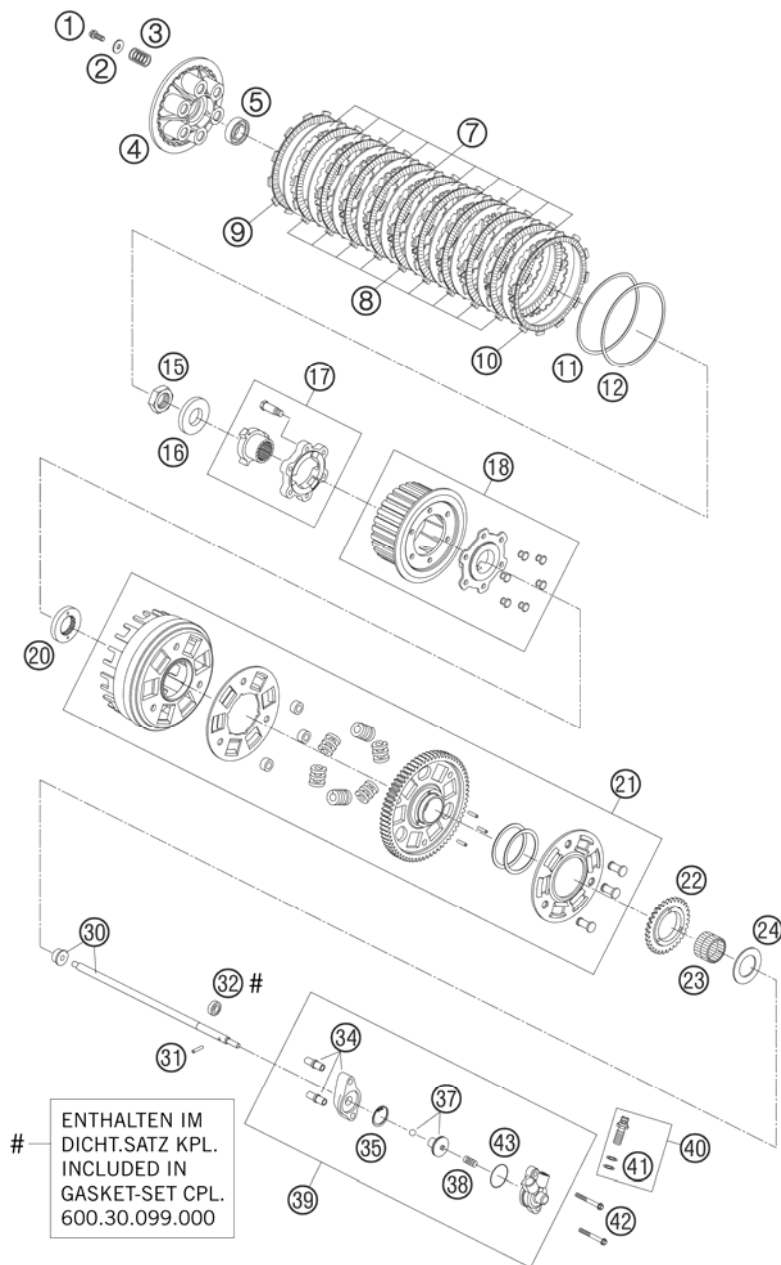


FIG	PART NUMBER	DESCRIPTION	QTY
1	0015060163	HH COLLAR SCREW M 6X16 WS=8	6
2	0021060003	WASHER DIN9021-A 6,4	6
3	60032005000	CLUTCH SPRING LC8 2003	6
4	60032003000	PRESSURE CAP LC8 2003	1
5	0625060032	BALL BEARING 6003 JR2 C4	1
7	60032010000	STEEL DISK 2MM 03	10
8	60032011000	LINING DISK 2,8MM 03	9
9	60032111000	LINING DISK OUTSIDE 2,8MM 03	1
10	60032012000	LINING DISK TURN OUT 2,8MM 03	1
11	60032034000	BELLEVILLE SPRING 2003	1
12	60032035000	THRUST WASHER 2003	1
15	0936220155	HEXAGON NUT DIN0936-M22X1,5 R.	1
16	0126220373	WASHER DIN0126 22X37X3 MM	1
17	60032080000	CLUTCH BOOSTER UNIT CPL. 03	1
18	60032002000	INNER CLUTCH HUB CPL. 03	1
20	60032021000	SECTION WASHER 03	1
21	60032001144	OUT.CLUTCH HUB CPL. 67-T 2004	1
22	60038001032	OIL PUMP GEAR WHEEL 32-T 03	1
23	0618303526	NEEDLE BUSH HK 30X35X26	1
24	60032020000	STOP DISK 30,2/50/2	1
30	60032054300	PUSH ROD LC8 CPL.	1
31	0402031780	NEEDLE ROL.DIN5402 NRB 3X17,8	1
32	0760091862	SHAFT SEAL RING 9X18X06 B-NBR	1
34	60032061050	DISTANCE CLUTCH CONTR. CPL.	1
35	0472270120	CIRCLIP DIN0472	1
37	60032066000	PISTON WITH O-RING AND BALL 03	1
38	60032069000	COMPRESSION SPRING 8X20,75	1
39	60032061044	CYLINDER CPL. LC8 03	1
40	50332062000	HOLLOW SCREW CPL. M 10X1 '98	1
41	0603100141	COPPER GASKET DIN7603-10X14X1	2
42	0015060503	HH COLLAR SCREW M 6X50 WS=8	2
43	60032065000	O-RING GASKET 03	1

05600320 / C056253200

* NEW PART

X AS REQUIRED

TRANSMISSION I-MAIN SHAFT

950 SUPERMOTO 2005

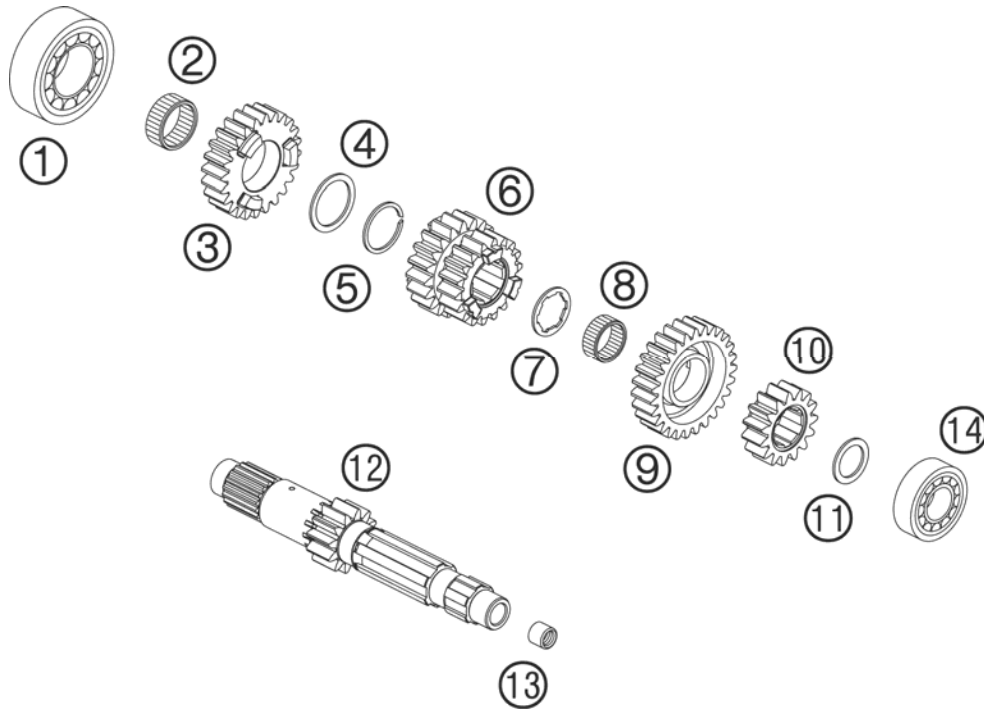


FIG	PART NUMBER	DESCRIPTION	QTY
1	0625062062	BALL BEARING 6206 C3 J1 NSK	1
2	0405263113	NEEDLE BEAR. K 26-31-13	1
3	60033005000	IDLER GEAR 5.G "600 5P24"	1
4	60033042000	STOP DISK 28,3/35,75/1,5	1
5	0417280150	LOCK RING DIN5417-WS28	1
6	60033003000	SLIDING G 3/4.G "600 34P18/20"	1
7	60033041000	STOP DISK 22,2/30,2/1,5	1
8	0405222613	NEEDLE BEAR. K 22X26X13 TN	1
9	60033006000	IDLER GEAR 6.G "600 6P27"	1
10	60033002000	SOLID GEAR 2.G. "600 2P15"	1
11	60033040000	STOP DISK 20,2/28/1,5	1
12	60033001000	MAIN SHAFT 12-T 03	1
13	0618091312	NEEDLE BUSH HK0912 9/13/12 03	1
14	0625062040	BALL BEARING 6204 DU J1 C3	1

03600330 / C056253300

* NEW PART

X AS REQUIRED

TRANSMISSION II-COUNTERSHAFT

950 SUPERMOTO 2005

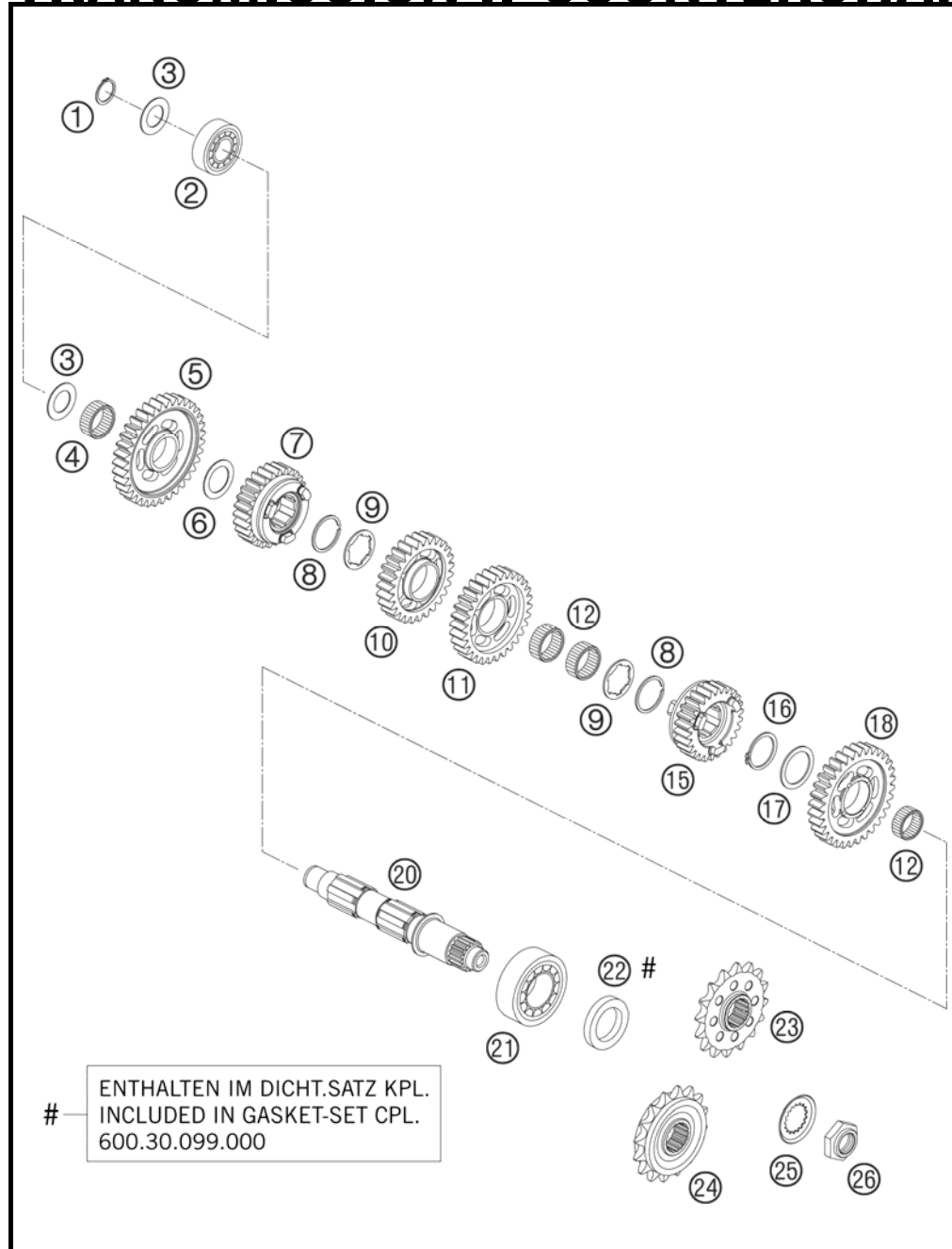


FIG	PART NUMBER	DESCRIPTION	QTY
1	0471200120	CIRCLIP DIN471 20X1,2	1
2	0625062040	BALL BEARING 6204 DU J1 C3	1
3	60033043000	STOP DISK 20,2 X 34 X 1	2
4	0405242813	NEEDLE BEAR. K 24X28X13 TN	1
5	60033011000	IDLER GEAR 1.G "600 1S35"	1
6	60033044000	STOP DISK 24,3/35,75/1	1
7	60033015000	SLIDING GEAR 5.G "600 5S27"	1
8	0417300151	LOCK RING WS 30	2
9	60033045000	STOP DISK 26,2/36/1,5	2
10	60033014000	IDLER GEAR 4.G "600 4S27"	1
11	60033013000	IDLER GEAR 3.G "600 3S30"	1
12	0405263113	NEEDLE BEAR. K 26-31-13	3
15	60033016000	SLIDING GEAR 6.G "600 6S26"	1
16	0471300151	CIRCLIP DIN0471-30X1,5 NIRO	1
17	60033046000	STOP DISK 30,2/39/1,5	1
18	60033012000	IDLER GEAR 2.G "600 2S32"	1
20	60033010000	COUNTERSHAFT 03	1
21	50330082000	CYL.ROLLER BEAR.NJ206 ET2XCS46	1
22	0760304772	SH.SEAL RING 30X47X7 BSL VITON	1
23	60033029016	CHAIN SPROCKET 16-T 03	x
23	60033029017	CHAIN SPROCKET 17-T 03	x
24	60033129017	CHAIN SPROCKET 17-T DAMPED 03	x
25	60033034000	SECURING PLATE TOOTHED 03	1
26	60033035000	HEXAGON NUT M20X1,5 03	1

ENTHALTEN IM DICHT.SATZ KPL.
INCLUDED IN GASKET-SET CPL.
600.30.099.000

05600331 / C056253301

* NEW PART

X AS REQUIRED



SHIFTING MECHANISM

950 SUPERMOTO 2005

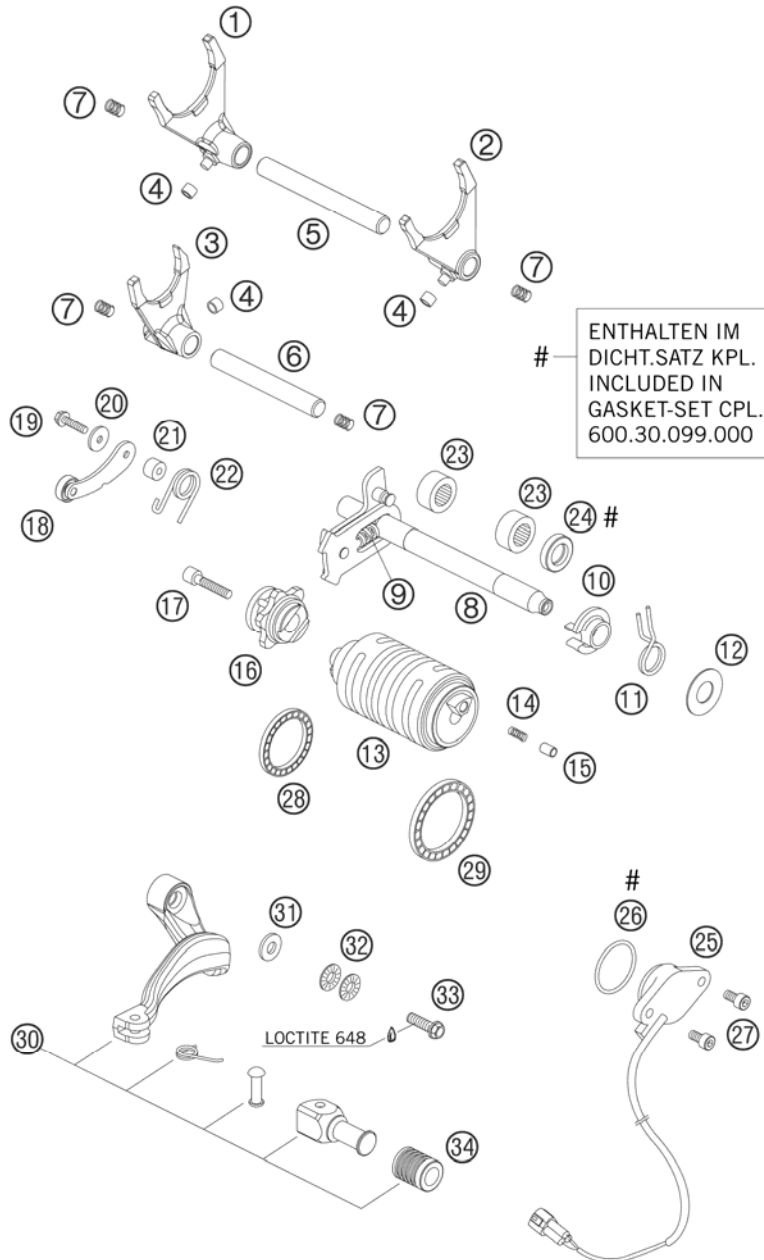


FIG	PART NUMBER	DESCRIPTION	QTY
1	60034001000	SHIFT FORK 1-4 GEAR LC8	03
2	60034002000	SHIFT FORK 2-3 GEAR LC8	03
3	60034003000	SHIFT FORK 5-6 GEAR LC8	03
4	50334018100	SHIFTING ROLLER 6X8X5,2	3
5	59034020000	SHIFT RAIL 11,8X105MM	1
6	59034019000	SHIFT RAIL 11,8X89MM	1
7	58038023200	PRESSURE SPRING 0,9MM	4
8	60034005044	SHIFT SHAFT CPL.	03
9	56534013100	TENSIONING SPRING 0,8MM	1
10	54634020000	SPRING GUIDE	1
11	54634014100	RETURN SPRING 2,2MM '95	1
12	54634050000	STOP DISK 14X30X1	1
13	60034012200	SHIFT ROLLER	05
14	60034014000	CONTACT SPRING	03
15	60034037000	CONTACT BOLT	03
16	60034015044	SHIFT ARRESTING CPL.	03
17	0984060302	AH SCREW DIN6912 M 6X30	1
18	60034024044	ARRESTING LEVER CPL.	03
19	0015050203	HH COLLAR SCREW M 5X20 WS=8	1
20	0349000050	WASHER DIN7349-5X15X2	1
21	54634052300	SLEEVE FOR LOCKING LEVER	1
22	60034023000	ARRESTING LEVER SPRING	03
23	54632095000	NEEDLE BEAR.HK 1412 14X20X12	2
24	0760142460	SHAFT SEAL RING 14X24X6 B	1
25	60011023000	GEAR-POSITION SENSOR	03
26	0770275025	O-RING 27,5X2,5 NBR	1
27	0912050103	AH SCREW DIN0912-M 5X10	2
28	0625618050	BALL BEARING 61805 C3	1
29	0625068080	GROOVED BALL BEARING 6808 JRC3	1
30	60034031044	SHIFT LEVER CPL.	03
31	50232050001	STEEL WASHER 6,4X17X3	1
32	50233041000	PAIR OF WASHERS M 6 NORDLOCK	1
33	59009062019	SPECIAL SCREW M6X19 WS=8 10.9	1
34	36205018000	RUBBER	1

05600340 / C056253400

* NEW PART

X AS REQUIRED

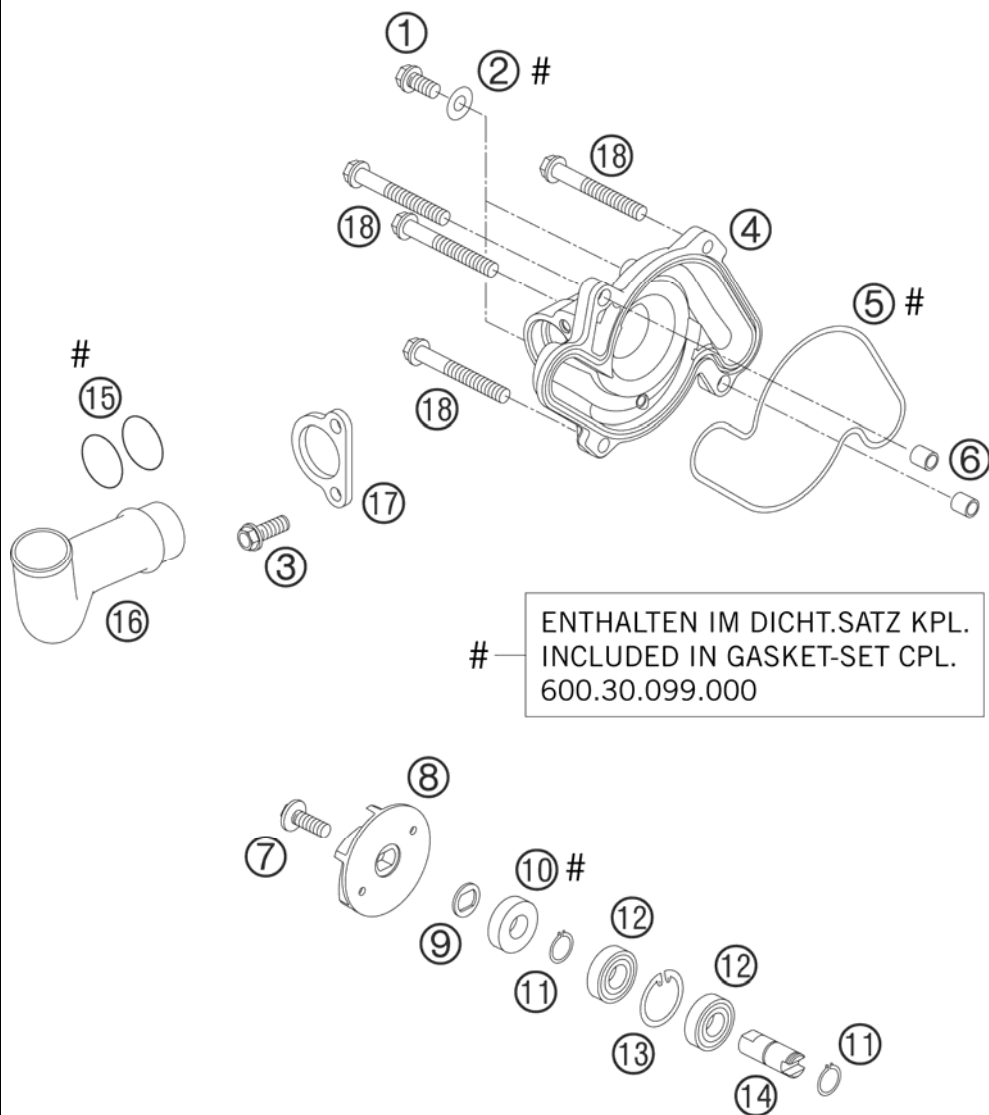


FIG	PART NUMBER	DESCRIPTION	QTY
1	0015060103	HH COLLAR SCREW M 6X10 WS=8	2
2	0603061001	CU-SEAL RING DIN7603-6X10X1	2
3	0015060163	HH COLLAR SCREW M 6X16 WS=8	2
4	60035052000	WATER-PUMP COVER 03	1
5	60035053000	WATER-PUMP GASKET 03	1
6	59030023000	DOWEL 6X8X11,5	2
7	0014060153	HH COLLAR SCREW M 6X15 WS=8	1
8	60035055100	WATER-PUMP WHEEL LC8 03	1
9	60035055150	FORM WASHER 16X1 NIRO 03	1
10	0760123072	SHAFT SEAL RING 12X30X7 VITON	1
11	0471120010	CIRCLIP DIN0471-12X1	2
12	0625069010	GROOVED BALL BEARING 6901V C3	2
13	0472240120	CIRCLIP DIN472 D=24X1,2	1
14	60035054000	WATER-PUMP SHAFT 03	1
15	0770250030	O-RING 25,00X3,00 NBR 70	2
16	62535021000	ALUMINIUM TUBE WATER-PUMP CPL.	1
17	60035021050	FIXING CLAMP WATER-P. TUBE 03	1
18	0015060603	HH COLLAR SCREW M 6X60 WS=8	4

ENTHALTEN IM DICHT.SATZ KPL.
INCLUDED IN GASKET-SET CPL.
600.30.099.000

056253500 / C056253500

* NEW PART

X AS REQUIRED

COOLING SYSTEM

950 SUPERMOTO 2005

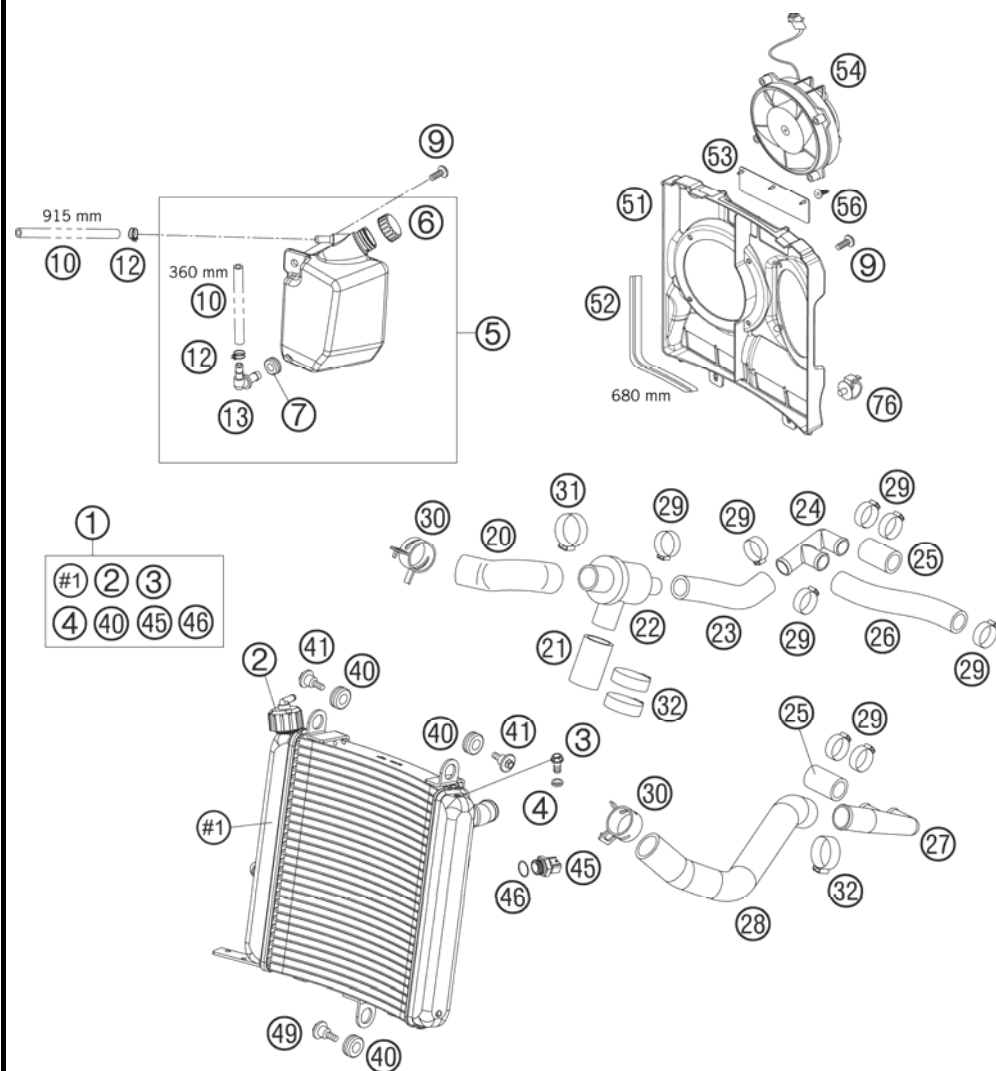


FIG	PART NUMBER	DESCRIPTION	QTY
1	62535010000	RADIATOR 950 SM 05	1
2	45135009000	RADIATOR CAP 50 LC 2001	1
3	0015060103	HH COLLAR SCREW M 6X10 WS=8	x
4	0125060003	WASHER DIN0125-A 6,4	x
5	62535065000	WATER EXPANSION TANK 05	1
6	60035066000	PLUG F. EXPANSION TANK	1
7	60035069000	RUBBER GROMMET 6X9X13MM 04	1
9	0014060153	HH COLLAR SCREW M 6X15 WS=8	3
10	60035067001	HOSE 6X10 EPDM 03	x
12	58007117000	YDNAC-CLAMP 10107 10MM	2
13	60035068000	ANGLE CONNECTION EXPANS. TANK	1
20	62535031000	RADIATOR HOSE 05	1
21	60035030000	RADIATOR HOSE THERM./PUMP 03	1
22	60035017000	THERMOSTAT 75° CPL. W. CASE 03	1
23	62535025000	RADIATOR HOSE THERM./VERT. 05	1
24	60035019000	DISTRIBUTOR R/S 18/18/18MM 03	1
25	60035026000	RADIATOR HOSE CYL./DISTR. 03	2
26	60035027000	RADIATOR HOSE DISTR./DISTR. 03	1
27	60035028000	DISTRIBUTOR L/S 18/18/25MM 03	1
28	62535024000	RADIATOR HOSE 05	1
29	00050271708	VARIABLE ONE-EAR CLAMP 27,1MM	8
30	00049320121	CLAMP STD DN32	2
31	00050346706	VARIABLE ONE-EAR CLAMP 34,6MM	1
32	00050331706	VARIABLE ONE-EAR CLAMP 33,1MM	3
40	41001052000	RUBBER SLEEVE D=12MM	3
41	60035001000	SCREW RADIATOR BRACKET M6 03	2
45	60035045000	THERMOSWITCH LC8 102DG '03	1
46	0770017015	O-RING 17X1,5 NB75	1
49	60038083000	SCREW OIL TANK FIXING 03	1
51	62535044000	FAN COWL 05	1
52	58312085100	EDGE PROTECTOR PER METER	x
53	58435044050	FAN FLAP RUBBER LC4 2000	3
54	58435041000	FAN CPL. 12V LC4 2000	2
56	0020050163	EJOT SCREW K50X16 1451	8
76	58111076000	CABLE SUPPORT KHS NR.150-47610	2

056253501 / C056253501

* NEW PART

X AS REQUIRED

CYLINDER HEAD FRONT

950 SUPERMOTO 2005

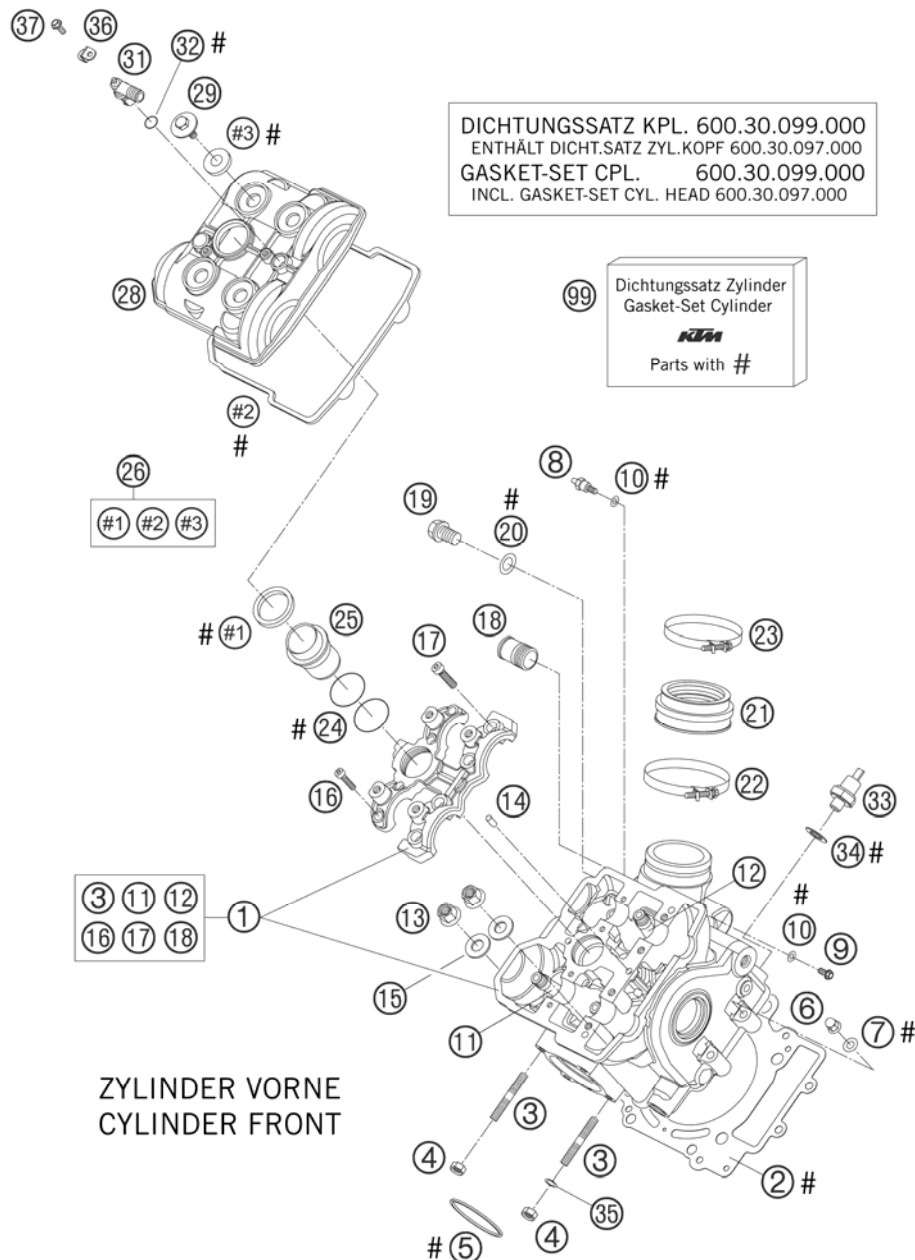


FIG	PART NUMBER	DESCRIPTION	QTY
1	60036020044	CYLINDER HEAD CPL. FRONT 03	1
2	60030036000	CYLINDER HEAD GASKET 0,5 101MM	1
3	0835080256	STUD DIN0835-M 8X25 10.9	2
4	51010086100	SELF LOCKING NUT M 8 CU	2
5	60005005000	GASKET 03	1
6	0587060000	CAP NUT M6 DIN1587 02	2
7	0125060003	WASHER DIN0125-A 6,4	2
8	58336020190	VACUUM CONNECTION M6X1 '97	x
9	0015060103	HH COLLAR SCREW M 6X10 WS=8	x
10	0603061001	CU-SEAL RING DIN7603-6X10X1	x
11	60036026000	VALVE GUIDE EXHAUST 03	2
12	60036025000	VALVE GUIDE INTAKE 03	2
13	60036078200	COLLAR NUT M 10 WS=13 05	4
14	0402050980	NEEDLE ROLLER DIN5402 5X9,8	2
15	60036078050	SHIM 10,2X19X1,5MM 05	4
16	0912060255	AH SCREW DIN0912-M 6X25 10.9	4
17	0984080305	AH SCREW DIN7984-M 8X30 10.9	4
18	58030010100	HOSE CONNECTOR M20X1,5 SPLICE.	1
19	0908120153	PLUG DIN0908-M12X1,5	1
20	58038022000	CU-SEAL RING DIN7603-12X18X1,5	1
21	60036044000	INTAKE BOOT 03	1
22	60036047100	HOSE CLAMP GEMI 62 MM 03	1
23	59030061100	HOSE CLAMP GEMI 56MM 03	1
24	0770298178	O-RING 29,87X1,78 VITON	2
25	60036075000	INSERT SPARK-PLUG SHAFT LC8 03	1
26	60036099000	VALVE COVER GASKET SET FR+RR	1
28	60036252000	VALVE COVER FRONT SM 05	1
29	60036052020	COLLAR SCREW M 6 WS=10 03	4
31	60038082000	ANGLE CONNECTOR LC8 03	1
32	0770080020	O-RING 8X2 SILICONE	1
33	60038091100	OIL-PRESSURE SWITCH LC8 04	1
34	0603100141	COPPER GASKET DIN7603-10X14X1	1
35	61005009000	SPACER BUSH. 8,5X15X7,5 05	1
36	60038082050	ANGLE CONNECTOR BRACKET PANEL	1
37	0009050103	SPECIAL SCREW M 5,0X10	2
99	60030097000	GASKET SET CYL. HEAD KPL. 03 CYLINDER FRONT + REAR	1

056253600 / C056253600

* NEW PART

X AS REQUIRED

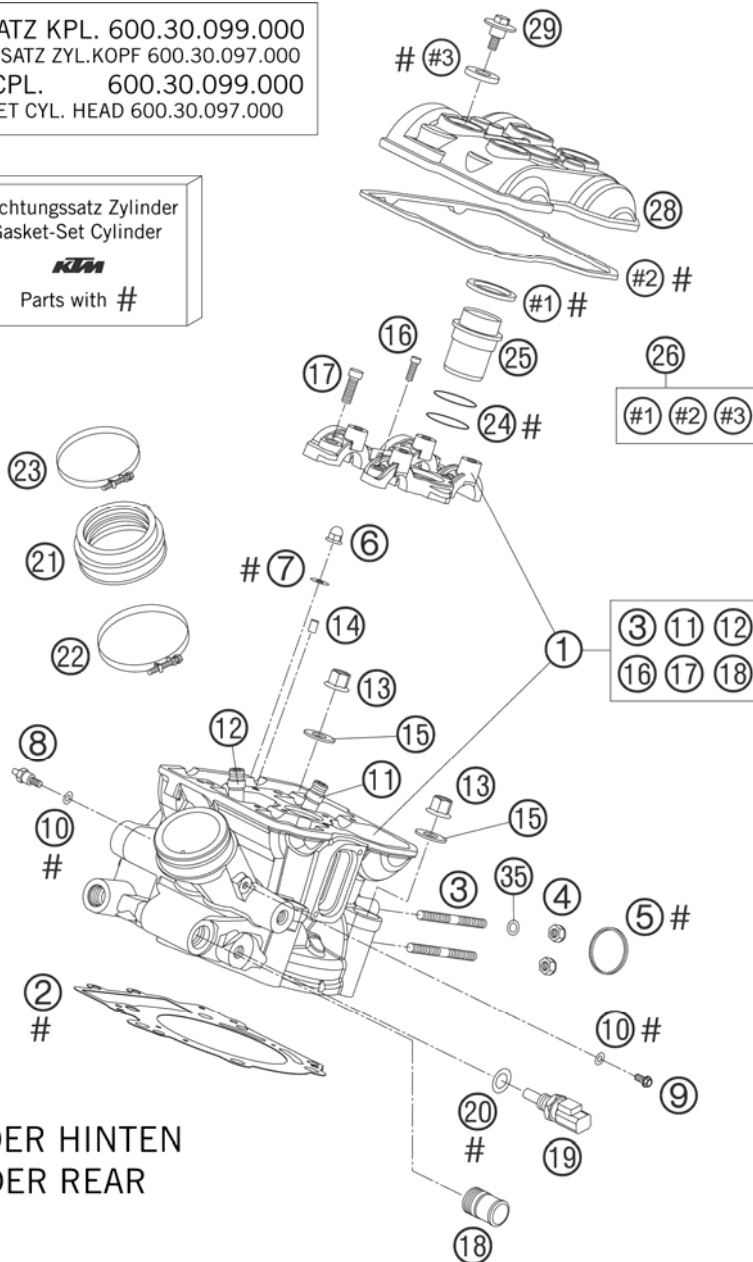
CYLINDERHEAD REAR

950 SUPERMOTO 2005

DICHTUNGSSATZ KPL. 600.30.099.000
 ENTHÄLT DICHT.SATZ ZYL.KOPF 600.30.097.000
 GASKET-SET CPL. 600.30.099.000
 INCL. GASKET-SET CYL. HEAD 600.30.097.000

99 Dichtungssatz Zylinder
 Gasket-Set Cylinder

 Parts with #



ZYLINDER HINTEN
 CYLINDER REAR

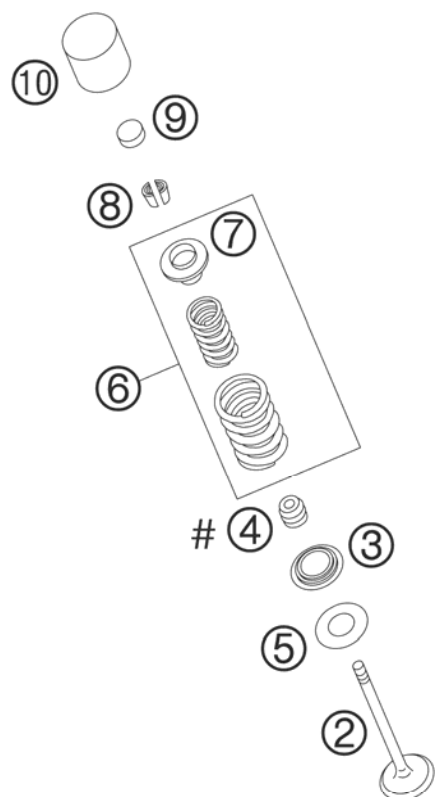
FIG	PART NUMBER	DESCRIPTION	QTY
1	60036120044	CYLINDER HEAD CPL. REAR 03	1
2	60030036000	CYLINDER HEAD GASKET 0,5 101MM	1
3	0835080256	STUD DIN0835-M 8X25 10.9	2
4	51010086100	SELF LOCKING NUT M 8 CU	2
5	60005005000	GASKET 03	1
6	0587060000	CAP NUT M6 DIN1587 02	2
7	0125060003	WASHER DIN0125-A 6,4	2
8	58336020190	VACUUM CONNECTION M6X1 '97	x
9	0015060103	HH COLLAR SCREW M 6X10 WS=8	x
10	0603061001	CU-SEAL RING DIN7603-6X10X1	x
11	60036026000	VALVE GUIDE EXHAUST 03	2
12	60036025000	VALVE GUIDE INTAKE 03	2
13	60036078200	COLLAR NUT M 10 WS=13 05	4
14	0402050980	NEEDLE ROLLER DIN5402 5X9,8	2
15	60036078050	SHIM 10,2X19X1,5MM 05	4
16	0912060255	AH SCREW DIN0912-M 6X25 10.9	4
17	0984080305	AH SCREW DIN7984-M 8X30 10.9	4
18	58030010100	HOSE CONNECTOR M20X1,5 SPLICE.	1
19	60011252000	TEMPERAT.-SENSOR WATER LC8 02	1
20	0770100020	O-RING 10,00X2,00 SILICONE	1
21	60036044000	INTAKE BOOT 03	1
22	60036047100	HOSE CLAMP GEMI 62 MM 03	1
23	59030061100	HOSE CLAMP GEMI 56MM 03	1
24	0770298178	O-RING 29,87X1,78 VITON	2
25	60036075000	INSERT SPARK-PLUG SHAFT LC8 03	1
26	60036099000	VALVE COVER GASKET SET FR+RR	1
28	60036152000	VALVE COVER REAR 03	1
29	60036052020	COLLAR SCREW M 6 WS=10 03	4
35	61005009000	SPACER BUSH. 8,5X15X7,5 05	1
99	60030097000	GASKET SET CYL. HEAD KPL. 03 CYLINDER FRONT + REAR	1

056253601 / C056253601

* NEW PART

X AS REQUIRED

EXHAUST



#

ENTHALTEN IM DICHTUNGSSATZ KPL.
INCLUDED IN GASKET-SET CPL.
600.30.099.000

ENTHALTEN IM DICHT.SATZ ZYL.KOPF
INCLUDED IN GASKET-SET CYL. HEAD
600.30.097.000

INTAKE

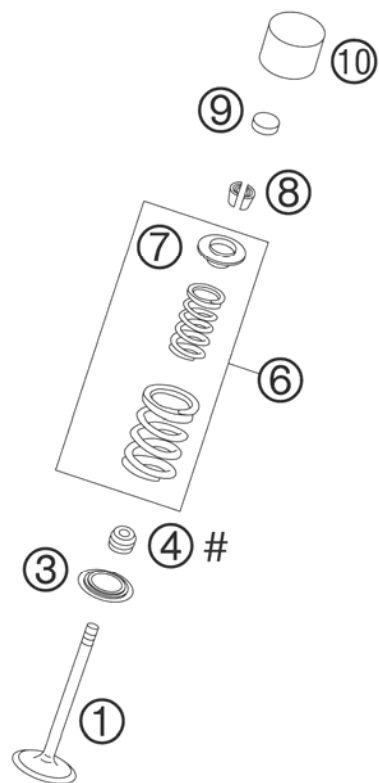


FIG	PART NUMBER	DESCRIPTION	QTY
1	60036030000	INTAKE VALVE	03
2	60036031100	EXHAUST VALVE	05
3	60036036000	SPRING RETAINER	03
4	59036027000	VALVE-STEM SEALING RACING	8
5	60036037000	WASHER 14/30/2	03
6	60036029044	VALVE SPRING KIT LC8	2003
7	60036032000	VALVE-SPRING RETAINER	03
8	60036033000	VALVE COLLET MK6	03
9	60036035200	SHIM D=10/2,0	03
9	60036035210	SHIM D=10/2,10	03
9	60036035215	SHIM D=10/2,15	03
9	60036035220	SHIM D=10/2,20	03
9	60036035225	SHIM D=10/2,25	03
9	60036035230	SHIM D=10/2,30	03
9	60036035235	SHIM D=10/2,35	03
9	60036035240	SHIM D=10/2,40	03
9	60036035245	SHIM D=10/2,45	03
9	60036035250	SHIM D=10/2,50	03
9	60036035255	SHIM D=10/2,55	03
9	60036035260	SHIM D=10/2,60	03
9	60036035265	SHIM D=10/2,65	03
9	60036035270	SHIM D=10/2,70	03
9	60036035275	SHIM D=10/2,75	03
9	60036035280	SHIM D=10/2,80	03
9	60036035285	SHIM D=10/2,85	03
9	60036035290	SHIM D=10/2,90	03
9	60036035295	SHIM D=10/2,95	03
9	60036035300	SHIM D=10/3,00	03
9	60036035305	SHIM D=10/3,05	03
9	60036035310	SHIM D=10/3,10	03
9	60036035315	SHIM D=10/3,15	03
9	60036035320	SHIM D=10/3,20	03
10	61036034000	BUCKET TAPPET	05

05600362 / C056253603

* NEW PART

X AS REQUIRED

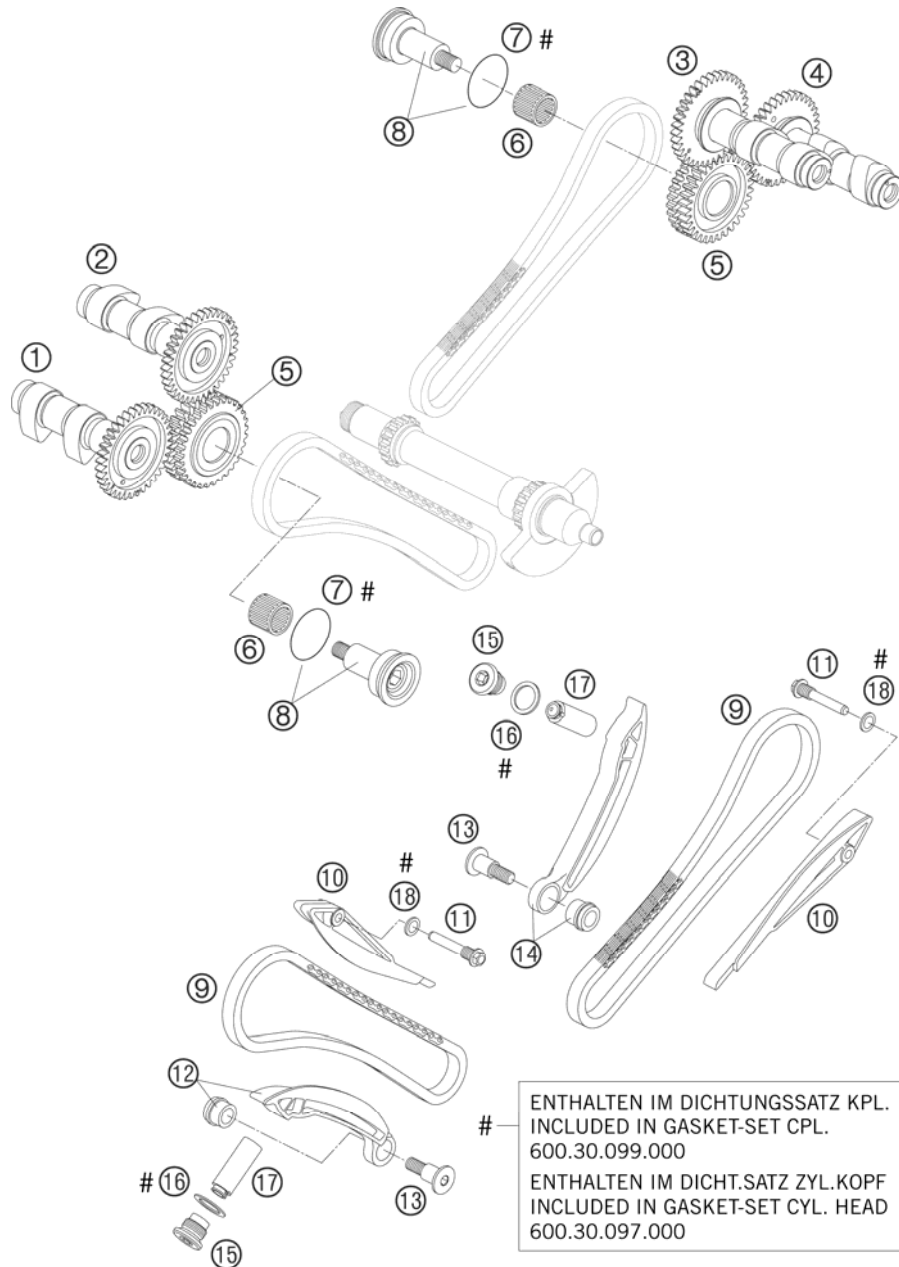


FIG	PART NUMBER	DESCRIPTION	QTY
1	60036010144	CAMSHAFT EXHAUST CPL. FRONT 03	1
2	60036009144	CAMSHAFT INTAKE CPL. FRONT 03	1
3	60036109144	CAMSHAFT INTAKE CPL. REAR 03	1
4	60036110144	CAMSHAFT EXHAUST CPL. REAR 03	1
5	60036070000	TIMING GEARS 32-T CPL. 03	2
6	0405182420	NEEDLE BEARING K18/24/20	2
7	0770290020	O-RING 29X2 VITON	2
8	60036071044	BEARING BOLT CPL. W. O-RING 03	2
9	60036013000	TOOTH CHAIN 88 LINK 6,35PITCH	2
10	60036001000	GUIDE RAIL 03	2
11	60036002060	BUSHING SCREW 2 CYL. 03	2
12	60036002000	TENSIONER RAIL CPL. FRONT 03	1
13	60036002050	COLLAR SCREW AH M8 03	2
14	60036102000	TENSIONER RAIL CPL. REAR 03	1
15	60036008000	SCREW PLUG M16X1,5 03	2
16	0603162013	CU SEAL-RING DIN7603 16X20X1,3	2
17	60036003000	TIMING-CH.TENS. HYDR.(75YM) 03	2
18	0603082121	SEAL RING CU DIN7603- 8X12X1	2

05600363 / C056253604

* NEW PART

X AS REQUIRED

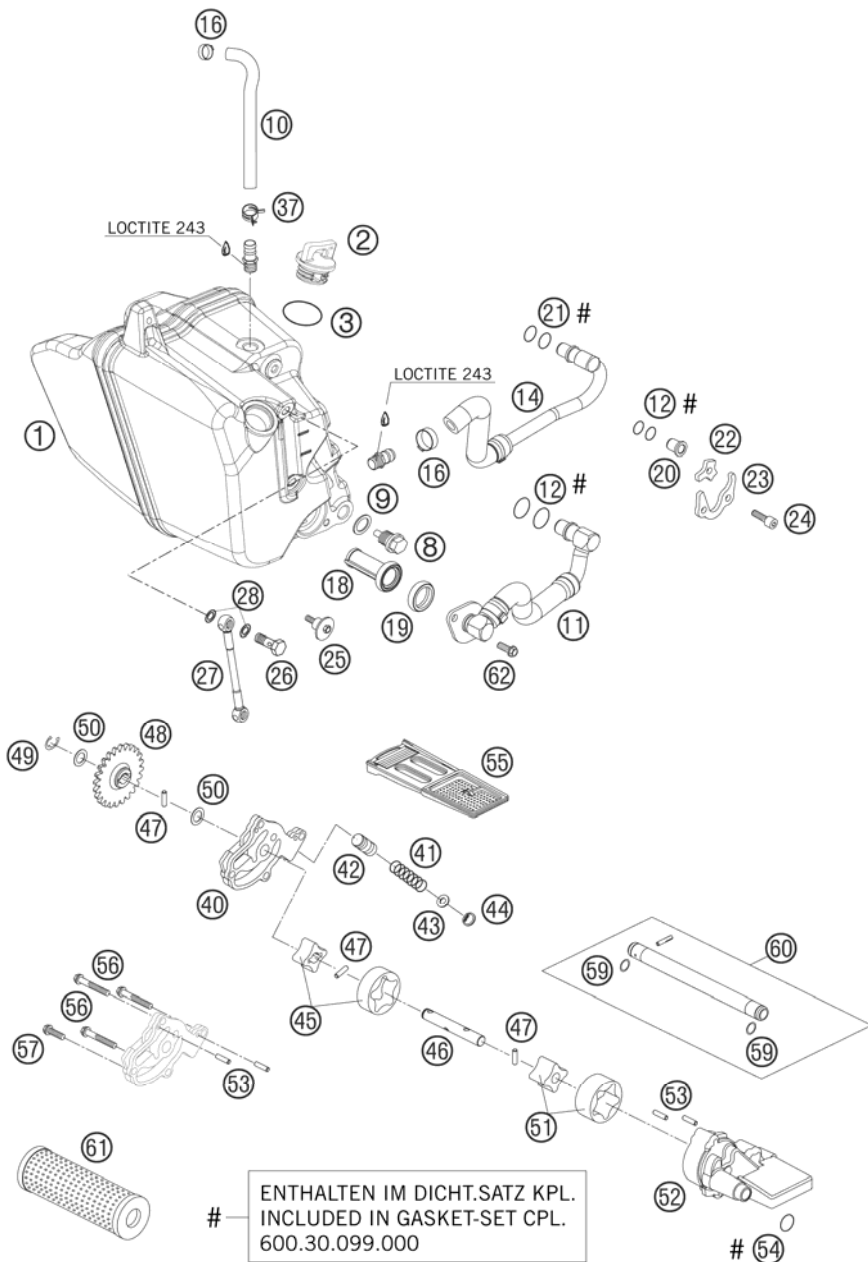


FIG	PART NUMBER	DESCRIPTION	QTY
1	62538081000	OIL TANK	05
2	58030020100	PLUG CPL. M24X3	1
3	0770191015	O-RING 19,00X3,00 NBR	1
8	58030021000	OILDRAIN PLUG W.MAG. M 12X1,5	1
9	58038022000	CU-SEAL RING DIN7603-12X18X1,5	1
10	62538034030	PREFORMED HOSE 9X15	05
11	62538060000	SUCTION PIPE	05
12	0770090021	O-RING 9X2 VITON	4
14	62538061000	RETURN OIL PIPE	06
16	00050170706	VARIABLE ONE-EAR CLAMP 17,0MM	2
18	60038017000	OIL SCREEN FINISHED	03
19	60038018000	GASKET FOR OIL FILTER HNBR	03
20	60038024000	PLUG 10MM LC8	03
21	0770110021	O-RING 11X2 VITON	2
22	60038037000	RETAINING PLATE 2 LC8	03
23	60038036000	RETAINING PLATE 1 LC8	03
24	0912060203	AH SCREW DIN0912-M 6X20	3
25	60038083000	SCREW OIL TANK FIXING	03
26	58038030000	BANJO BOLT M8 X 1 DIN7643	2
27	61038084000	OIL RISING PIPE CPL.	05
28	0603082121	SEAL RING CU DIN7603- 8X12X1	4
37	00049160121	CLAMP STD DN16	1
40	60038010000	PRESSURE PUMP CASE	03
41	60038026000	CONTROL SPRING LC8 3,5 BAR	1
42	60038028000	CONTROL PISTON LC8	03
43	0988060121	WASHER 6X12X1 HRC 40-45	1
44	0472012010	CIRCLIP DIN0472 J12	1
45	60038011000	ROTOR-SET PRESSURE PUMP	03
46	60038002000	OIL PUMP SHAFT	03
47	0402041580	NEEDLE ROLLER NRB 4X15,8 G2	3
48	60038001024	OIL PUMP GEAR 24-T	03
49	0799080000	TAB WASHER DIN6799 RS8	1
50	60038007010	WASHER 10X16X0,5	03
51	60038009000	ROTOR-SET SUCTION PUMP	03
52	60038008000	SUCTION PUMP CASE	03
53	0402040980	NEEDLE ROL.DIN5402 NRB 4X9,8	4

056253800 / C056253800

* NEW PART

X AS REQUIRED

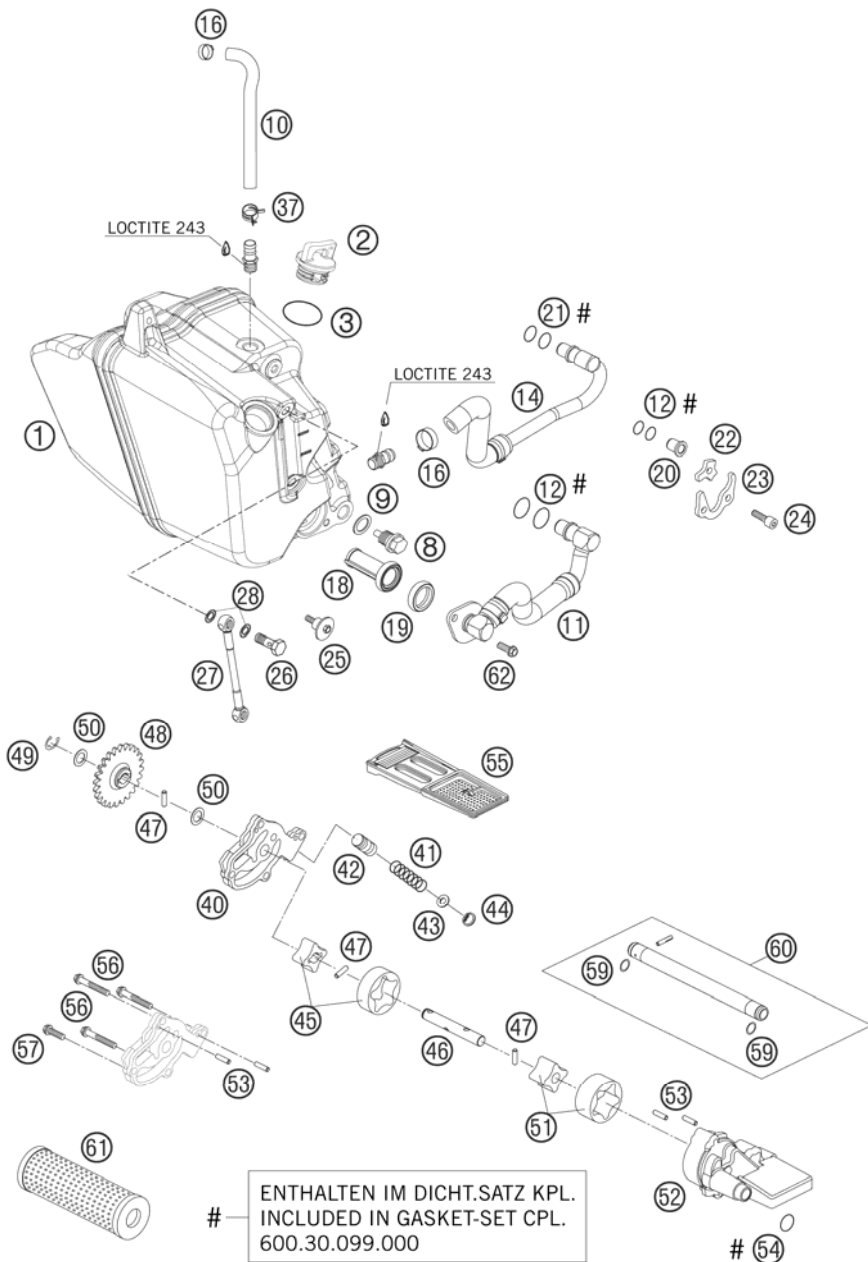


FIG	PART NUMBER	DESCRIPTION	QTY
54	0770133024	O-RING 13,3X2,4 VITON	1
55	60038016000	OIL SCREEN 03	1
56	0015060403	HH COLLAR SCREW M 6X40 WS=8	3
57	0015060203	HH COLLAR SCREW M 6X20 WS=8	1
59	0770010010	O-RING 10,00X1,00 NBR 70 SH	2
60	60030065100	OIL INJECTION TUBE GEAR 05	1
61	60038015000	OIL FILTER 03	1
62	0015060103	HH COLLAR SCREW M 6X10 WS=8	2

056253800 / C056253800

* NEW PART

X AS REQUIRED

IGNITION SYSTEM DENSO

950 SUPERMOTO 2005

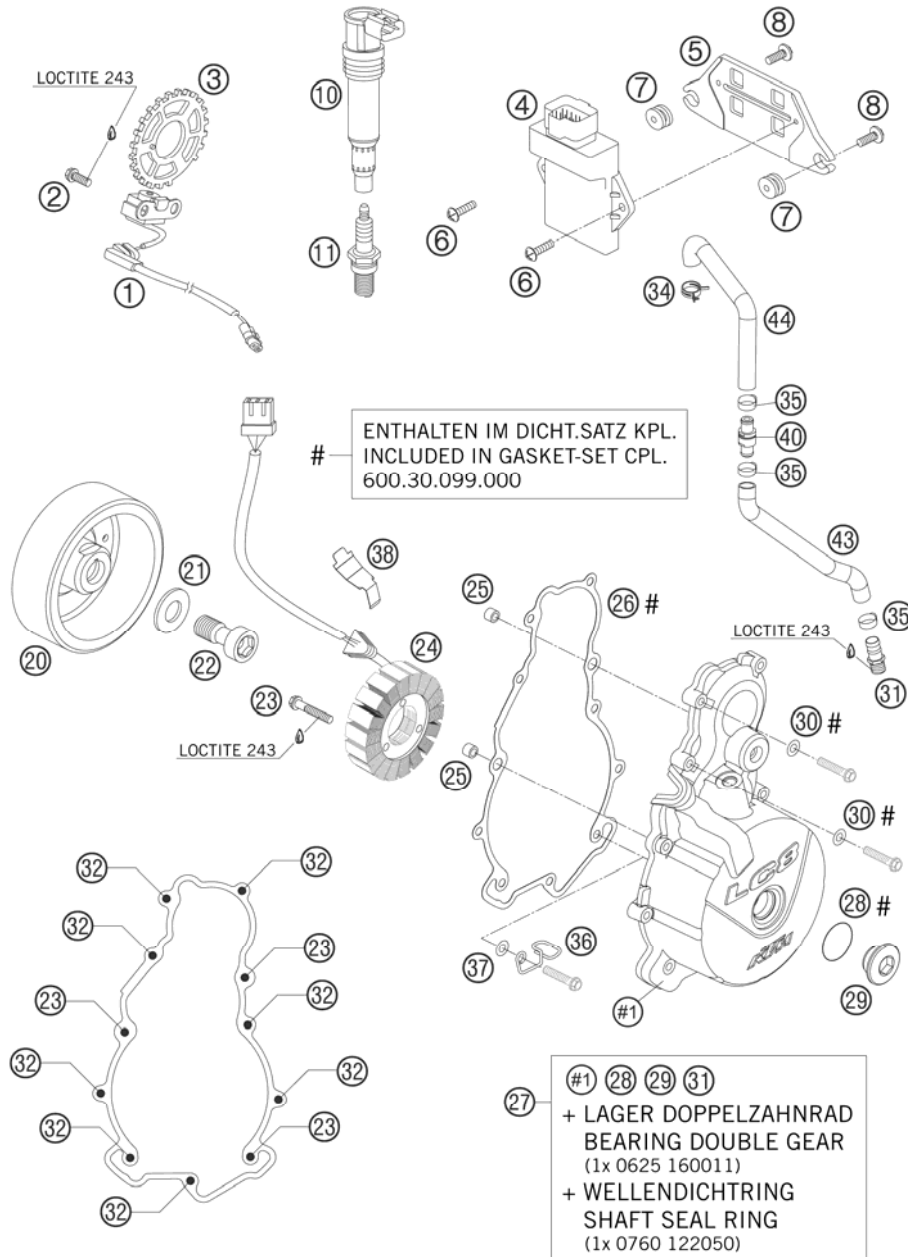


FIG	PART NUMBER	DESCRIPTION	QTY
1	60039034100	PULSE GENERATOR LC8 04	1
2	0015060163	HH COLLAR SCREW M 6X16 WS=8	2
3	60039020100	TRIGGER WHEEL 03	1
4	62539031000	DIGITALBOX 950SM 05	1
5	60039028000	ADAPTER PLATE DIGITALBOX 03	1
6	0081500181	SCREW FOR PLASTIC D=5X18	2
7	60039030000	VIBRATION DAMPER DIGITALBOX 03	2
8	0014060153	HH COLLAR SCREW M 6X15 WS=8	2
10	60039006000	STICK COIL 03	2
11	59039093000	SPARK PLUG CR8EK	2
20	60039005100	IGNITION ROTOR 04 INCL. FREEWHEEL	1
21	60039040010	WASHER 17X32X4 03	1
22	60039003000	AH EXPAND. SCREW M16X35 8.8	x
22	60039003100	AH EXPAND. SCREW M16X1,5 05	x
23	0015060353	HH COLLAR SCREW M 6X35 WS=8	6
24	60039004000	STATOR 03	1
25	49030090000	DOWEL 9,8 X 7 X 10	2
26	60030040100	IGNIT.COVER GASK.MATRI.CS0,5MM	1
27	60030002044	IGNITION COVER CPL. 03	1
28	0770024025	O-RING 24X2,5 NBR	1
29	60030094000	SCREW PLUG M24X1,5 PA 6.6	1
30	0603061001	CU-SEAL RING DIN7603-6X10X1	2
31	60030022000	VENTILATION CONNECTOR M16X1,5	1
32	0015060303	HH COLLAR SCREW M 6X30 WS=8	8
34	00049220121	CLAMP STD DN22	1
35	00050226706	VARIABLE ONE-EAR CLAMP 22,6MM	3
36	60011094000	CABLE SUPPORT 03	1
37	0125060003	WASHER DIN0125-A 6,4	1
38	60039040020	CABLE SUPPORT GENERATOR 03	1
40	60030090000	BACK-PRESSURE VALVE CPL.	1
43	60030087101	ENGINE BREATHER HOSE BOTTOM	1
44	60030087102	ENGINE BREATHER HOSE TOP	1

05600390 / C056253900

* NEW PART

X AS REQUIRED

ELECTRIC STARTER

950 SUPERMOTO 2005

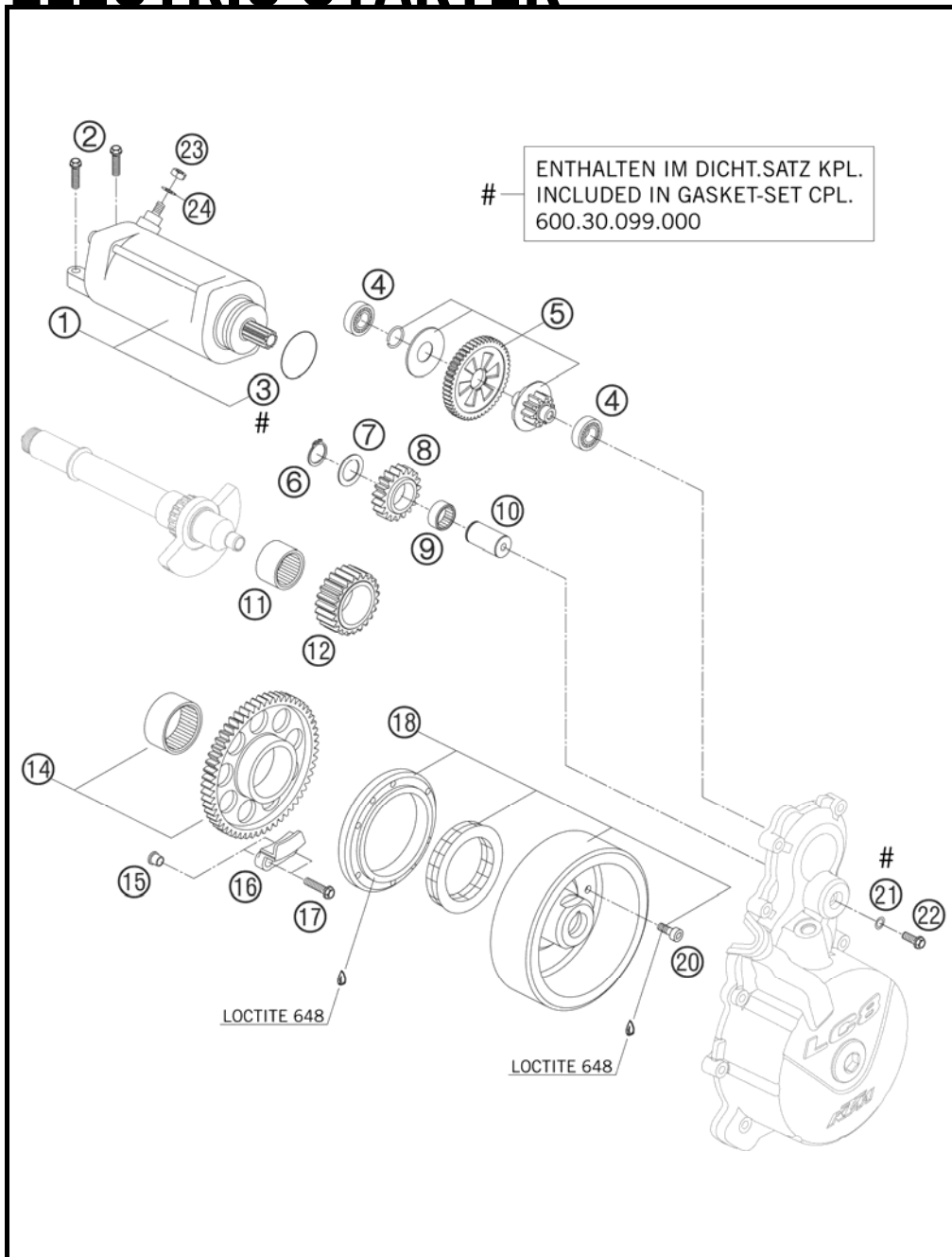


FIG	PART NUMBER	DESCRIPTION	QTY
1	60040001000	E-STARTER ENGINE CPL. LC8-E 03	1
2	0015060253	HH COLLAR SCREW M 6X25 WS=8	2
3	0770335030	O-RING 33,5X3 VITON	1
4	0625160011	GROOV.BALL BEAR. 16001 JRX C3	2
5	60040016000	TORQUE LIMITER 10/49-T CPL.	1
6	0471170010	CIRCLIP DIN0471-17X1	1
7	50333041000	STOP DISC 17,2X26X1 B	1
8	60040022119	IDLER GEAR 19-T 03	1
9	0405172110	NEEDLE BEARING K 17X21X10	1
10	60040023000	BEARING BOLT 17X33 03	1
11	0618253220	NEEDLE BUSH HK2520 25/32/20 02	1
12	60040022023	IDLER GEAR 2 23-T 03	1
14	60040020000	FREEWHEEL GEAR WH. 57-T CPL.03	1
15	60040027050	SUPPORTING SLEEVE 03	2
16	60040027000	FREEWHEEL HOLDER 03	1
17	0015060253	HH COLLAR SCREW M 6X25 WS=8	2
18	60039005100	IGNITION ROTOR 04 INCL. FREEWHEEL	1
20	0984060166	AH SCREW DIN6912 M6X16 10.9	6
21	0603061001	CU-SEAL RING DIN7603-6X10X1	1
22	0015060163	HH COLLAR SCREW M 6X16 WS=8	1
23	0985060003	SELF LOCK. NUT DIN0985-M 6	1
24	0125060003	WASHER DIN0125-A 6,4	1

05600400 / C056254000

* NEW PART

X AS REQUIRED